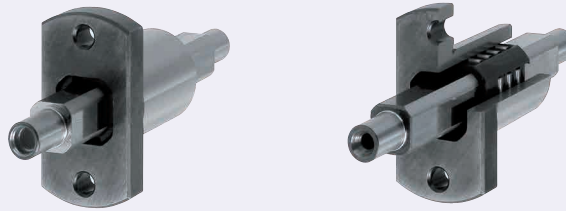


# High Rigidity Needle Guide Sets

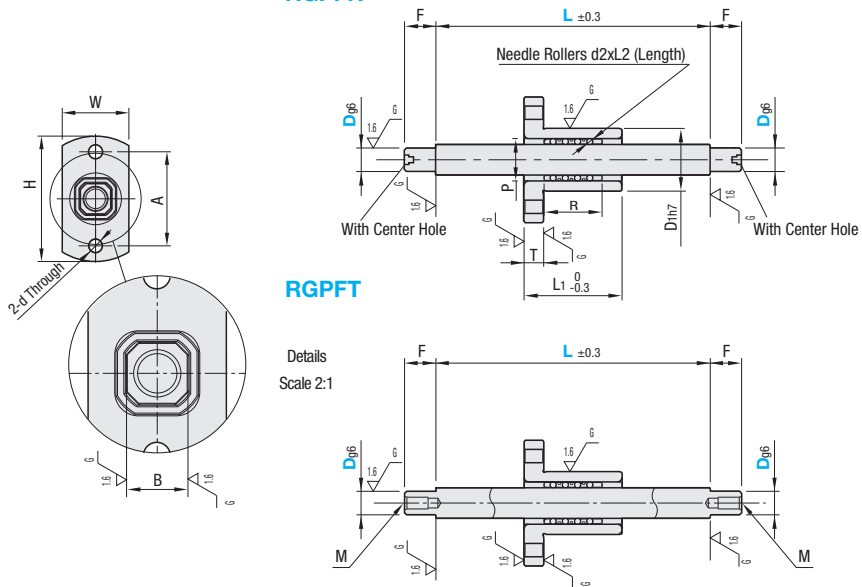
<Reference: Cross Section View Photo>



RoHS10

| Type           | Shafts / Bushings |          | Retainer   | Needle Rollers |          | Ambient Operating Temp. |
|----------------|-------------------|----------|------------|----------------|----------|-------------------------|
|                | Material          | Hardness | Material   | Material       | Hardness |                         |
| RGPFN<br>RGPFT | SUJ2              | 58HRC~   | Polyacetal | SUJ2           | 58HRC~   | 0~80°C                  |

RGPFN



RGPFT

Details  
Scale 2:1

| Part Number    |     | L 10mm Increment | Effective Stroke (Reciprocating) | Shafts |    |      | Bushing        |                |    |   |    |    | Retainer |     |    |                |                         |                 |    |
|----------------|-----|------------------|----------------------------------|--------|----|------|----------------|----------------|----|---|----|----|----------|-----|----|----------------|-------------------------|-----------------|----|
| Type           | Dg6 |                  |                                  | F      | B  | M    | D <sub>1</sub> | L <sub>1</sub> | T  | H | W  | P  | d        | A   | R  | d <sub>2</sub> | L <sub>2</sub> (Length) | Needle Quantity |    |
| RGPFN<br>RGPFT | 6   | -0.004<br>-0.012 | 50~70                            | 20     | 8  | 7.8  | M3x 6          | 16             | 25 | 5 | 32 | 17 | 10.8     | 3.4 | 24 | 15             | 1.5                     | 4.8             | 14 |
|                | 10  | -0.005<br>-0.014 | 60~80                            | 30     | 8  | 11.0 | M5x10          | 24             | 36 | 7 | 43 | 25 | 15.0     | 4.5 | 33 | 19             | 2                       | 4.8             | 20 |
|                | 12  | -0.006<br>-0.017 | 90~120                           | 40     | 10 | 14.6 | M6x12          | 31             | 50 | 7 | 50 | 32 | 18.6     | 5.5 | 40 | 30             | 2                       | 6.8             | 24 |
|                | 16  | -0.006<br>-0.017 | 100~130                          | 50     | 10 | 18.9 | M8x16          | 32             | 60 | 7 | 55 | 33 | 22.9     | 6.6 | 43 | 33             | 2                       | 6.8             | 24 |



Ordering Example

Part Number - L  
RGPFN10 - 60

| Part Number |    | L 10mm Increment | Unit Price    | Volume Discount Rate |
|-------------|----|------------------|---------------|----------------------|
| Type        | D  |                  | 1 ~ 10 pc(s). | 11~20                |
| RGPFN       | 6  | 50~70            |               |                      |
|             | 10 | 60~80            |               |                      |
|             | 12 | 90~120           |               |                      |
|             | 16 | 100~130          |               |                      |
| RGPFT       | 6  | 50~70            |               |                      |
|             | 10 | 60~80            |               |                      |
|             | 12 | 90~120           |               |                      |
|             | 16 | 100~130          |               |                      |