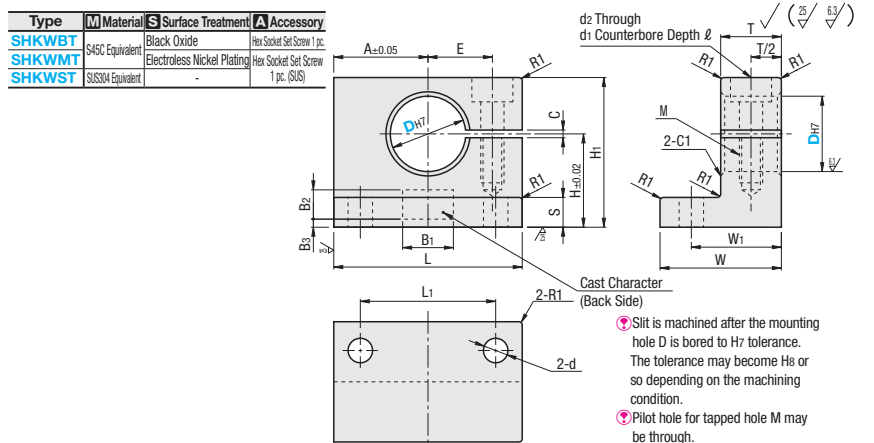


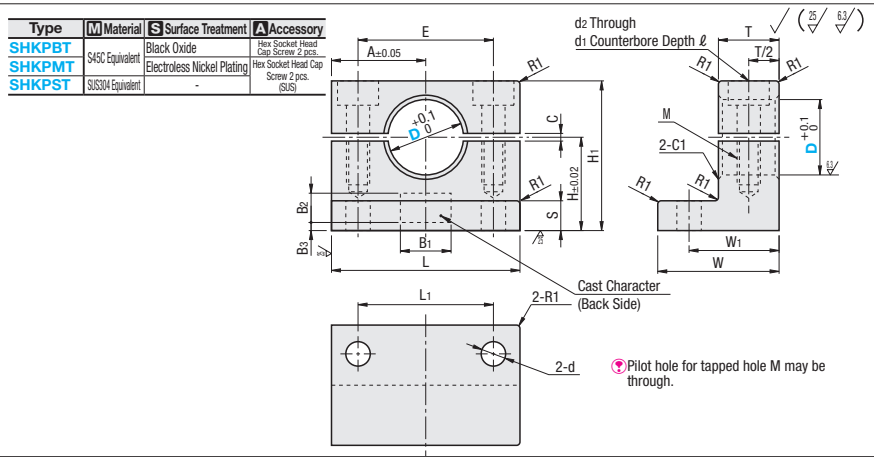
# Shaft Supports - L-Shaped (Cast)

## Side Slit / Split

■ **Features :** Cast manufacturing enabled more economical prices than the other machined products of the same type.



Part Number Type	D	H	L	H1	T	S	W	W1	A	L1	d	E	Tightening Screw M	d2	d1	ℓ	C	B1	B2	B3	Mass g	Unit Price														
																						SHKWBT	SHKWT	SHKWST												
SHKWBT	8	15	30	23	12	6	22	17	15	20	5.5	10	M4	4.5	8	4.5	2	14	8	2	70															
	10	20	32	29					16												20	90														
	12	20	32	30					19												26	90														
	SHKWT	16	25	38					37												16	8	32	24	25	36	6.5	18	M6	6.5	11	6.5	243			
		20	50	40					48												16	8	32	24	25	36	6.5	18	M6	6.5	11	6.5	271			
		25	50	40					48												16	8	32	24	25	36	6.5	18	M6	6.5	11	6.5	271			
30	30	70	51	20	10	40	30	35	48	9	24	M8	9	14	9	3	503																			



Part Number Type	D	H	L	H1	T	S	W	W1	A	L1	d	E	Tightening Screw M	d2	d1	ℓ	C	B1	B2	B3	Mass g	Unit Price		
																						SHKPBT	SHKPMT	SHKPST
SHKPBT	8	15	30	23	12	6	22	17	15	20	5.5	20	M4	4.5	8	4.5	2	14	8	2	65			
	10	20	32	29					16												20	85		
	12	20	32	30					19												26	85		
SHKPMT	16	25	38	37	16	8	32	24	25	36	6.5	36	M6	6.5	11	6.5	2	14	8	2	121			
	20	50	40	48	16	8	32	24	25	36	6.5	36	M6	6.5	11	6.5	230							
	25	50	40	48	16	8	32	24	25	36	6.5	36	M6	6.5	11	6.5	257							
30	30	70	51	20	10	40	30	35	48	9	48	M8	9	14	9	3	483							

