


# Shaft Supports - Flanged Slit (Cast)

## Standard / Long Sleeve

■ **Features:** Most economical and popular shaft support. Machined products are recommended for precision requiring applications.

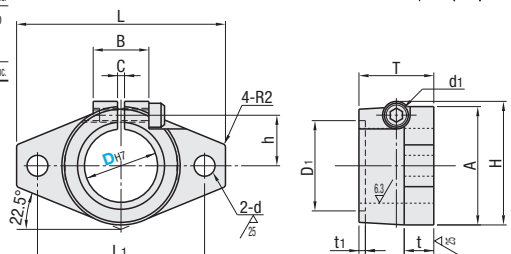
■ **Standard**



RoHS10

Type	Material	Surface Treatment	Accessory
SHFT	S45C	Black Oxide	Hex Socket Head Cap Screw 1 pc.
SHFM	Equivalent	Electroless Nickel Plating	Hex Socket Head Cap Screw 1 pc. (SUS)
SHFSS	SUS304 Equivalent	-	-
SHF	AC7A	Clear Anodize	-
SHFD	-	Black Anodize	Hex Socket Head Cap Screw 1 pc.

⚠ Depending on the type and size, 2 cutouts may be provided.




⚠ Slit is machined after the mounting hole D is bored to H7 tolerance. The tolerance may become H8 or so depending on the machining condition.

Part Number Type	D	L	T	t	H	A	L1	d	d1	D1	t1	B	C	h	Tightening Screw M	Mass g	Unit Price																		
																	SHFT	SHFM	SHFSS	SHF	SHFD														
D8-16, 20-50 SHFT SHFM SHFSS	3	43	10	5	24	20	32	5.5	9	10	1.5	18	2	9.5	M4	32(11)	-	-	-	-															
	4															32(11)	-	-	-	-															
	5															32(11)	-	-	-	-															
	6															32(11)	-	-	-	-															
	8															29(10)	-	-	-	-															
D3-50 SHF	10	47	13	7	28	25	36	5.5	9	12	2	18	2.5	11	M4	29(10)	-	-	-	-															
	12															52(18)	-	-	-	-															
	13															52(18)	-	-	-	-															
D8-16, 20-30 SHFD	15	50	16	8	31	28	40	7	10	24	2	22	2.5	12.5	M5	64(22)	-	-	-	-															
	16															64(22)	-	-	-	-															
	18	60	20	8	37	34	48	7	10	24	2	22	2.5	15	M5	110(38)	-	-	-	-															
	20															110(38)	-	-	-	-															
	25	70	25	10	42	40	56	7	10	30	2	22	2.5	17	M5	179(62)	-	-	-	-															
	30															179(62)	-	-	-	-															
	D8-16, 20-30 SHFD	35	80	30	12	50	46	64	9	12	35	3	22	2.5	21	M6	278(96)	-	-	-	-														
		40															278(96)	-	-	-	-														
		45															92	35	14	58	50	72	12	15	40	3	22	2.5	25.5	M8	350(121)	-	-	-	-
		50																													350(121)	-	-	-	-
50		102															40	16	67	56	80	12	18	45	3	22	2.5	30	M10	500(173)	-	-	-	-	
50	122	50	19	83	70	96	14	20	55	3	22	2.5	38	M12	952(329)	-	-	-	-																

⚠ Values in ( ) are the mass for aluminum products.

■ **Features:** MISUMI's original. Longer sleeve than standard type enhances strength against falling.

■ **Long Sleeve**

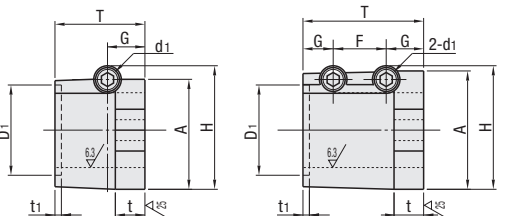


RoHS10

Type	Material	Surface Treatment	Accessory
SHFTL	S45C	Black Oxide	Hex Socket Head Cap Screw 2 pcs.
SHFML	Equivalent	Electroless Nickel Plating	Hex Socket Head Cap Screw 2 pcs. (SUS)
SHFSSL	SUS304 Equivalent	-	-
SHFL	AC7A	Clear Anodize	-
SHFDL	-	Black Anodize	Hex Socket Head Cap Screw 2 pcs.

⚠ D dimension 8 and 10 come with 1 screw.

⚠ Slit is machined after the mounting hole D is bored to H7 tolerance. The tolerance may become H8 or so depending on the machining condition.



Part Number Type	D	L	T	t	H	A	L1	d	d1	D1	t1	B	C	h	G	F	Tightening Screw M	Mass g	Unit Price				
																			SHFTL	SHFML	SHFSSL	SHFL	SHFDL
D8-50 SHFTL SHFML SHFSSL SHFL	8	43	20	5	25.5	20	32	5.5	10	10	1.5	18	2	10.5	10	-	M5	51(18)	-	-	-	-	
	10																	47(17)	-	-	-	-	
	12																	91(32)	-	-	-	-	
	13																	87(30)	-	-	-	-	
	15																	114(41)	-	-	-	-	
D8-13, 16-30 SHFDL	16	50	32	8	31	28	40	7	10	24	2	22	2.5	12.5	8	16	M4	112(39)	-	-	-	-	
	20																	191(66)	-	-	-	-	
	25																	300(104)	-	-	-	-	
	30																	450(156)	-	-	-	-	
	35																	592(205)	-	-	-	-	
D8-13, 16-30 SHFDL	40	102	80	16	67	56	80	12	18	45	3	22	2.5	25.5	17.5	35	M8	831(288)	-	-	-	-	
	45																	831(288)	-	-	-	-	
	50																	1446(410)	-	-	-	-	

⚠ Values in ( ) are the mass for aluminum products.

Ordering Example: Part Number SHFTL16