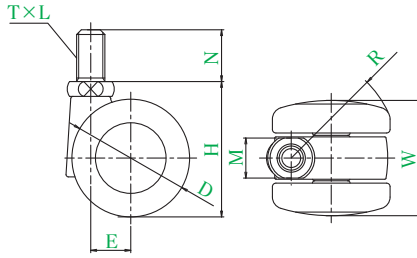


P TYPE



P-50T, M12 x 22



P-60T, M12 x 22

● Description of product number

P - 50 T, M12 x 22

Body type: P
Wheel diameter: 50
Screw: T
Screw-in type: M12
Insertion type: x
Length: 22

Specifications of screw-in type

Body, wheel = Nylon

Product number											
	Wheel diameter D(mm)	Wheel width W(mm)	Mounting height H(mm)	Screw T	Pitch L	Length N(mm)	Opposite side M(mm)	Eccentricity E(mm)	Turning radius R(mm)	Allowance load daN(kgf)	Wheel weight (g)
P-50T	50	49	57.5	M12	1.75	22	17	17	46	60(61.2)	125
P-50HT	50	49	57.5						46	100(102.0)	125
P-60T	60	55	73						55	100(102.0)	160

- Allowable load is the allowable load when the stem is screwed in to the end.
- ★ Refer to P7 for the mounting method.



PT-50T, M8 x 15

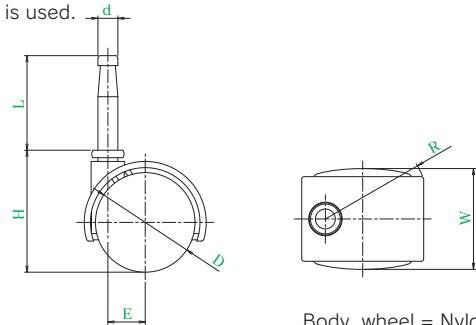
Body, wheel = Nylon

Product number											
	Wheel diameter D(mm)	Wheel width W(mm)	Mounting height H(mm)	Screw T	Pitch and threads per inch L	Length N(mm)	Opposite side M(mm)	Eccentricity E(mm)	Turning radius R(mm)	Allowance load daN(kgf)	Wheel weight (g)
PT-40T	40	40.5	M8 = 50 M12 = 52 W3/8 = 50	M8	1.25	15	12.7	15	43	20(20.4)	
				M12	1.25	14	19				
PT-50T	50	45	M8 = 60 M12 = 62 W3/8 = 60	W3/8	16 threads	15	12.7	18	51	30(30.6)	

- Allowable load is the allowable load when the stem is screwed in to the end.
- Wheel weight indicates weight of a caster when a screw with the minimum meter is used.
- ★ Refer to P7 for the mounting method.



PT-40N



Body, wheel = Nylon

Specifications of insertion type

Product number									
	Wheel diameter D(mm)	Wheel width W(mm)	Mounting height H(mm)	Axis diameter d(mm)	Axis length L(mm)	Eccentricity E(mm)	Turning radius R(mm)	Allowance load daN(kgf)	Wheel weight (g)
PT-40N	40	40.5	49	8	38	15	43	20(20.4)	
PT-50N	50	45	60			18	51	30(30.6)	

- Allowable load is the allowable load when the stem is screwed in to the end.
- ★ Refer to P7 for the mounting method.

J
PM
J2
RJ2
SJ
S
E
G
L
SA
H
CAL-H
M
PL
Silence
SUS-J2
SUS-SJ
SUS-S
SUS-E
SUS-H
P
SKY
Equipped with adjuster foot
Special
Easy lock
Wheels