

P-S TYPE



* Excluding PT



Swivel

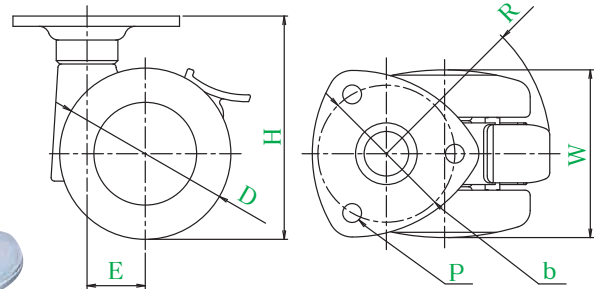


Plate type



Equipped with a single stopper

• Equipped with a single stopper



P-50GS



P-60GS

● Description of product number

P - 50 GS

Body type
Wheel diameter
Intensity type
Equipped with stopper

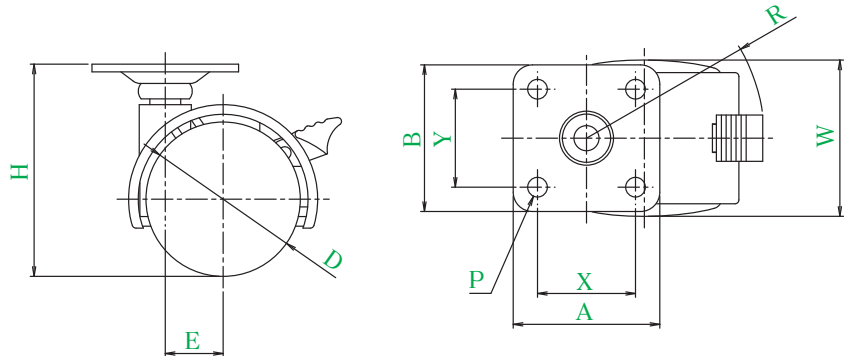
Body, wheel = Nylon

Product number									
	Wheel diameter D(mm)	Wheel width W(mm)	Mounting height H(mm)	Mounting dimensions b(mm)	Hole diameter P(mm)	Eccentricity E(mm)	Turning radius R(mm)	Allowance load daN(kgf)	Wheel weight (g)
P-50GS	50	49	65	40	5.5	17	48	60(61.2)	155
P-50HGS	50	49	65	40	5.5	17	48	100(102.0)	160
P-60GS	60	55	79	40	5.5	17	67	100(102.0)	195

● These casters are used for only locking rotation of the wheel.



PT-40GS



Body, wheel = Nylon

Product number										
	Wheel diameter D(mm)	Wheel width W(mm)	Mounting height H(mm)	Mounting base A × B(mm)	Mounting dimensions X × Y(mm)	Hole diameter P(mm)	Eccentricity E(mm)	Turning radius R(mm)	Allowance load daN(kgf)	Wheel weight (g)
PT-40GS	40	40.5	55	38 × 38	25.4 × 25.4	5.1	15	47	20(20.4)	
PT-50GS	50	45	65	38 × 38	25.4 × 25.4	5.1	18	57	30(30.6)	

● These casters are used for only locking rotation of the wheel.