

SUS-J₂-S TYPE



There are some non-conforming products.



Swivel



Plate type



Equipped with a single stopper



Double bearing

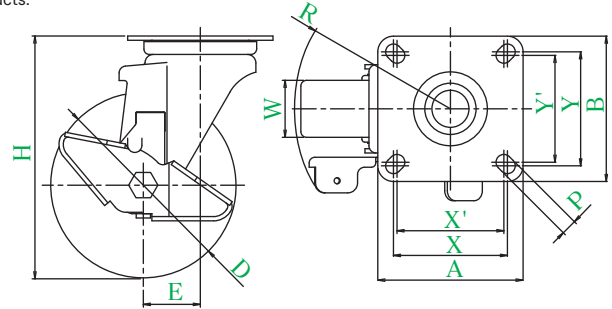


Stainless steel

• Equipped with a pedal type single stopper



SUS-GUJ2-150S



● Description of product number

SUS - GU J₂ - 150 S

| | | | | |
|--------------|------------|--------------|----------------|-----------------------|
| Bracket type | Wheel type | Bracket type | Wheel diameter | Equipped with stopper |
|--------------|------------|--------------|----------------|-----------------------|

Bracket = Stainless steel

| Product number | Wheels | | | | | | | | | | |
|--|--------------------------|-------------------------|----------------------|--------------------------|----------------------------|--|------------------------|-----------------------|-------------------------|----------------------------|---------------------|
| | | Wheel diameter D(mm) | Wheel width W(mm) | Mounting height H(mm) | Mounting base A × B(mm) | Mounting dimensions X × Y (X' × Y') (mm) | Hole diameter P(mm) | Eccentricity E(mm) | Turning radius R(mm) | Allowance load daN(kgf) | Wheel weight (g) |
| SUS-J ₂ SUS-SJ SUS-S SUS-E | NR J ₂ -130 S | 130 | 40 | 170 | 102 × 102 | 80 × 80 (75 × 75) | 11 | 40 | 108 | 160(163.2) | 1555 |
| | N J ₂ -130 S | | | | | | | | | 150(153.0) | 1520 |
| | GU J ₂ -130 S | | | | | | | | | 160(163.2) | 1590 |
| SUS-J ₂ SUS-SJ SUS-S SUS-E | NR J ₂ -150 S | 150 | 40 | 190 | 102 × 102 | 80 × 80 (75 × 75) | 11 | 40 | 115 | 180(183.6) | 1690 |
| | N J ₂ -150 S | | | | | | | | | 160(163.2) | 1610 |
| | GU J ₂ -150 S | | | | | | | | | 180(183.6) | 1680 |

● These casters are used for only locking rotation of the wheel.

Wheel in use

Refer to P162 for detailed specifications.



NR

Rubber wheel with nylon wheel assembly (including B)



N

Nylon wheel (including B)



GU

Urethane wheel with nylon wheel assembly (including B)