

# RJ2 Type $\phi$ 100 125 150

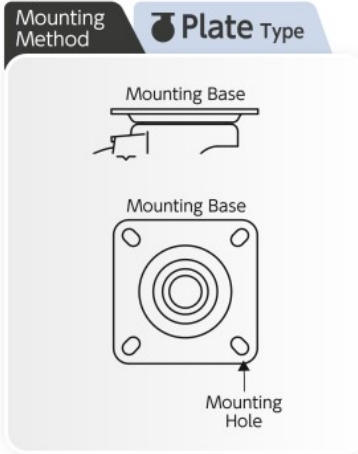
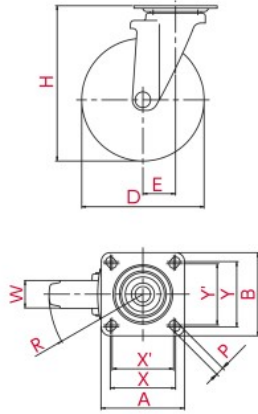
**Swivel**

**Plate Type**

<b>BZP (Brilliant Zinc Plating)</b>	<b>CP (Chromium Plating)</b>
Single Bearing	Double Bearing
Single Stopper	Double Stopper



RJ2-150NWR



- Usage**
- Flat Trolley
  - Hand Trolley
  - Server Rack
  - Roll Box Pallet**
  - Towing Trolley
  - Office Chair
  - Machinery and equipment
  - Copying Machine
  - Furniture
  - Display Rack
  - Refrigeration and cold storage showcase
  - Others

Use together with **Fixed**



The picture is a typical product image.

Order Example: **RJ2** - **150** **NWR**  
 Bracket Type Wheel Diameter Wheel Type

Wheel Diameter (D[mm])	Product No.	Wheel Material	Load Capacity [daN(kgf)]	Wheel Width (W[mm])	Mounting Height (H[mm])	Mounting Base (AxB[mm])	Mounting Dimensions (XxY (X'xY') [mm])	Hole Diameter (P[mm])	Eccentricity (E[mm])	Turning Radius (R[mm])
100	RJ2-100W-P	Rubber	120(122.4)	32	132	90x90	71x71(68x68)	11	34	85
	RJ2-100NRP			30						
	RJ2-100W	Rubber(Including B)		32						
	RJ2-100W-P-G	Grey Rubber								
	RJ2-100N	Nylon								
	RJ2-100GU	PU(Including B)		100(102.0)						
125	RJ2-125W-P	Rubber	150(153.0)	38	168	102x102	80x80(75x75)	11	38	101
	RJ2-125W	Rubber(Including B)		34						
	RJ2-125NWR	Grey Rubber(Including B)		38						
	RJ2-125W-G	Grey Rubber(Including B)		34						
	RJ2-125NP	Nylon		40						
	RJ2-125GU	PU(Including B)								
150	RJ2-150W-P	Rubber	160(163.2)	40	190	102x102	80x80(75x75)	11	40	115
	RJ2-150W	Rubber(Including B)		34						
	RJ2-150NWR	Grey Rubber(Including B)		40						
	RJ2-150W-G	Grey Rubber(Including B)		34						
	RJ2-150N	Nylon(Including B)		40						
	RJ2-150GU	PU(Including B)								

**Wheel Type**

<b>W -P</b> Wheel: Steel Tread: Rubber	<b>NRP</b> Wheel: Nylon Tread: Rubber	<b>W</b> Wheel: Steel Tread: Rubber (Including B)	<b>NWR</b> Wheel: Nylon Tread: Rubber (Including B)	<b>W -P-G</b> Wheel: Steel Tread: Grey Rubber	<b>W -G</b> Wheel: Steel Tread: Grey Rubber (Including B)	<b>NWR -G</b> Wheel: Nylon Tread: Grey Rubber (Including B)	<b>N</b> Wheel: Nylon Tread: Nylon	<b>NP</b> Wheel: Nylon Tread: Nylon
<b>N</b> Wheel: Nylon Tread: Nylon (Including B)	<b>GU</b> Wheel: Nylon Tread: PU (Including B)							