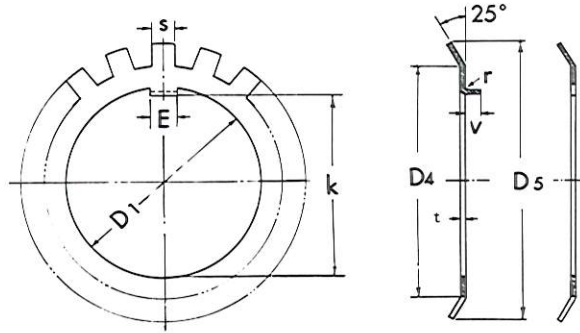


Unit No. and Dimensions of Washer-series AW, AWX

座金 Washer

Series
AW OO
AW OOX



座金系列AW Washer-series AW

呼び番号 Nominal No.		主要寸法 Boundary Dimension (mm)							歯の数 No. of teeth		参考 Reference	
舌を曲げた形 Bent Tab Type	舌を曲げない形式 Straight Tab Type	D ₁	k	E	t	s	D ₄	D ₅	舌を曲げた形式 bent Tab Type		No. of teeth	ナット呼 び番号 Nut Unit No.
									r	v		
AW 00 01 02	AW 00X 01X 02X	10 12 15	8.5 10.5 13.5	3 3 4	1 1 1	3 3 4	13 17 21	21 25 28	0.5 0.5 1	2 2 2.5	9 9 13	AN 00 01 02
AW 03 04 05	AW 03X 04X 05X	17 20 25	15.5 18.5 23	4 4 5	1 1 1.2	4 4 5	24 26 32	32 36 42	1 1 1	2.5 2.5 2.5	13 13 13	AN 03 04 05
AW 06 07 08	AW 06X 07X 08X	30 35 40	27.5 32.5 37.5	5 6 6	1.2 1.2 1.2	5 5 6	38 44 50	49 57 62	1 1 1	2.5 2.5 2.5	13 15 15	AN 06 07 08
AW 09 10 11	AW 09X 10X 11X	45 50 55	42.5 47.5 52.5	6 6 8	1.2 1.2 1.2	6 6 7	56 61 67	69 74 81	1 1 1	2.5 2.5 4	17 17 17	AN 09 10 11
AW 12 13 14	AW 12X 13X 14X	60 65 70	57.5 62.5 66.5	8 8 8	1.5 1.5 1.5	7 7 8	73 79 85	86 92 98	1.2 1.2 1.2	4 4 4	17 19 19	AN 12 13 14
AW 15 16 17	AW 15X 16X 17X	75 80 85	71.5 76.5 81.5	8 10 10	1.5 1.8 1.8	8 8 8	90 95 102	104 112 119	1.2 1.2 1.2	4 4 4	19 19 19	AN 15 16 17
AW 18 19 20	AW 18X 19X 20X	90 95 100	86.5 91.5 96.5	10 10 12	1.8 1.8 1.8	10 10 10	108 113 120	126 133 142	1.2 1.2 1.2	4 4 6	19 19 19	AN 18 19 20
AW 21 22 23	AW 21X 22X 23X	105 110 115	100.5 105.5 110.5	12 12 12	1.8 1.8 2	12 12 12	126 133 137	145 154 159	1.2 1.2 1.5	6 6 6	19 19 19	AN 21 22 23
AW 24 25 26	AW 24X 25X 26X	120 125 130	115 120 125	14 14 14	2 2 2	12 12 12	138 148 149	164 170 175	1.5 1.5 1.5	6 6 6	19 19 19	AN 24 25 26
AW 27 28 29	AW 27X 28X 29X	135 140 145	130 135 140	14 16 16	2 2 2	14 14 14	160 160 172	185 192 202	1.5 1.5 1.5	6 8 8	19 19 19	AN 27 28 29
AW 30 31 32	AW 30X 31X 32X	150 155 160	145 147.5 154	16 16 18	2 2.5 2.5	14 16 16	171 182 182	205 212 217	1.5 1.5 1.5	8 8 8	19 19 19	AN 30 31 32
AW 33 34 36	AW 33X 34X 36X	165 170 180	157.5 164 174	18 18 20	2.5 2.5 2.5	16 16 18	193 193 203	222 232 242	1.5 1.5 1.5	8 8 8	19 19 19	AN 33 34 36
AW 38 40	AW 38X 40X	190 200	184 194	20 20	2.5 2.5	18 18	214 226	252 262	1.5 1.5	8 8	19 19	AN 38 40

[次ページに続きます]
(Continued to next page)