

Screw connection M12, A-coded

SAIS / SAIB

straight



SAISW / SAIBW

angled



Ordering data

Male	
	3-pole, PG 7
	3-pole, PG 9
	4-pole, PG 7
	4-pole, PG 9
Socket	
	3-pole, PG 7
	3-pole, PG 9
	4-pole, PG 7
	4-pole, PG 9
Note	

Type	Qty.	Order No.
SAIS-3/7	1	1021470000
SAIS-3/9	1	1021480000
SAIS-4/7	1	9457550000
SAIS-4/9	1	1807340000
Other versions on request		

Type	Qty.	Order No.
SAISW-3/7	1	1021280000
SAISW-3/9	1	1021290000
SAISW-4/7	1	9457290000
SAISW-4/9	1	1807360000
Other versions on request		

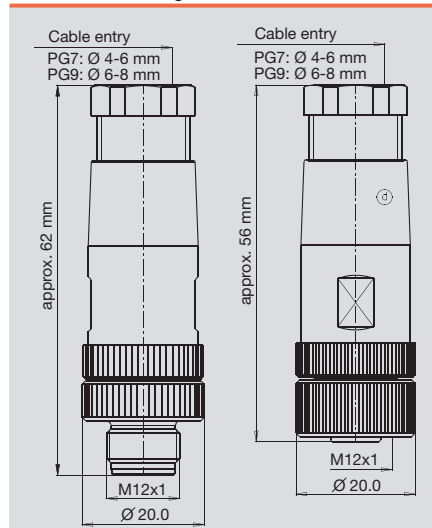
Technical data

Type of connection	Screw connection
Housing main material	PA
Contact tube diameter	M12
Cable diameter	4...6 mm (PG7)/ 6...8 mm (PG9)
Cross-section for connected wire	0.14 - 0.75 mm ²
Rated current	4 A
Rated voltage	250 V
Temperature range of housing	-25...+85 °C
Protection class	IP 67
Contact surface	CuSnZn
Note	

Type of connection	Screw connection
Housing main material	PA
Contact tube diameter	M12
Cable diameter	4...6 mm (PG7)/ 6...8 mm (PG9)
Cross-section for connected wire	0.14 - 0.75 mm ²
Rated current	4 A
Rated voltage	250 V
Temperature range of housing	-25...+85 °C
Protection class	IP 67
Contact surface	CuSnZn
Note	

Type of connection	Screw connection
Housing main material	PA
Contact tube diameter	M12
Cable diameter	4...6 mm (PG7)/ 6...8 mm (PG9)
Cross-section for connected wire	0.14 - 0.75 mm ²
Rated current	4 A
Rated voltage	250 V
Temperature range of housing	-25...+85 °C
Protection class	IP 67
Contact surface	CuSnZn
Note	

Dimensioned drawing



Dimensioned drawing

