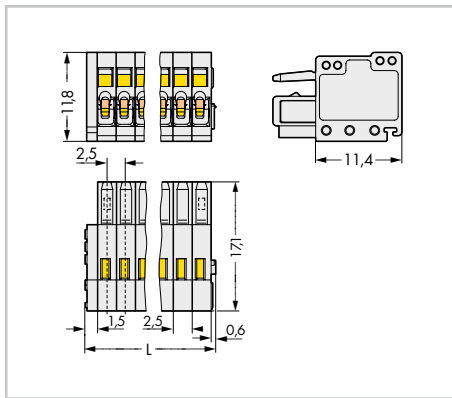
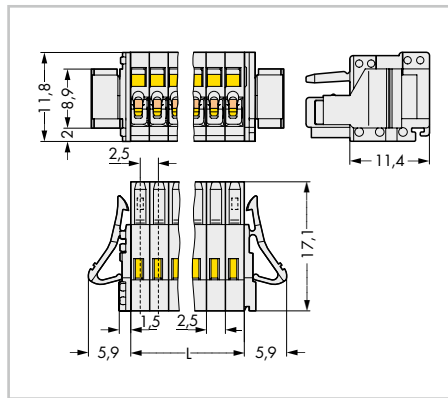


Female Connectors MCS MICRO

Pin spacing: 2.5 mm / 0.098 in.		With locking levers Pin spacing: 2.5 mm / 0.098 in.	
0.08 ... 0.5 mm ²	28 ... 20 AWG	0.08 ... 0.5 mm ²	28 ... 20 AWG
160 V/2.5 kV/2 6 A	150 V/4 A	160 V/2.5 kV/2 6 A	150 V/4 A



L = (pole no. x pin spacing) + 1.5 mm



L = pole no. x pin spacing

Pole No.	Item No.	Pack. Unit	Pole No.	Item No.	Pack. Unit
Female connector, light gray			Female connector with locking levers, light gray		
2	733-102	200	2	733-102/037-000	100
3	733-103	200	3	733-103/037-000	100
4	733-104	200	4	733-104/037-000	100
5	733-105	100	5	733-105/037-000	100
6	733-106	100	6	733-106/037-000	100
7	733-107	100	7	733-107/037-000	50
8	733-108	100	8	733-108/037-000	50
9	733-109	100	9	733-109/037-000	50
10	733-110	100	10	733-110/037-000	50
12	733-112	50	12	733-112/037-000	50