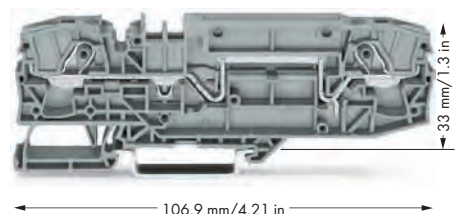
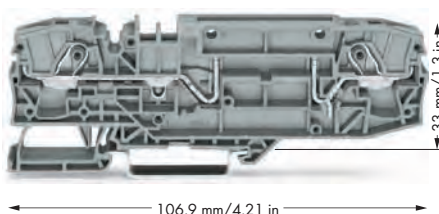
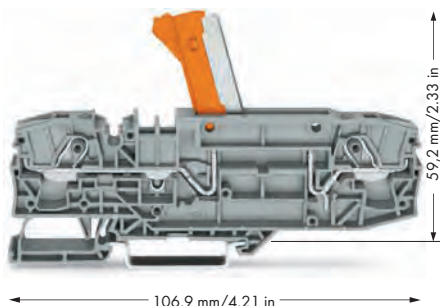



TOPJOB® S

Disconnect Terminal Blocks for Test and Measurement 1500 VDC, Carrier/Through Terminal Blocks of Same Profile 6 (10) mm²/30 A, 2006 Series

<p>0.5 ... 6 (10) mm² ① AWG 20 ... 8 AC/DC 1000 V/ DC 1500 V/12 kV/3 ② I_N 30 A 600 V, 30 A ③, 1000 V, 30 A ④</p> <p>Terminal block width 15 mm / 0.591 in. 13 ... 15 mm / 0.55 in. ⑤</p>	<p>0.5 ... 6 (10) mm² ① AWG 20 ... 8 AC/DC 1000 V/ DC 1500 V/12 kV/3 ② I_N 30 A 600 V, 30 A ③, 1000 V, 30 A ④</p> <p>Terminal block width 15 mm / 0.591 in. 13 ... 15 mm / 0.55 in. ⑤</p>	<p>0.5 ... 6 (10) mm² ① AWG 20 ... 8 AC/DC 1000 V/ DC 1500 V/12 kV/3 ② I_N 30 A 600 V, 30 A ③, 1000 V, 30 A ④</p> <p>Terminal block width 15 mm / 0.591 in. 13 ... 15 mm / 0.55 in. ⑤</p>
--	--	--



Item No.	Pack. Unit	Item No.	Pack. Unit	Item No.	Pack. Unit
2-conductor disconnect terminal block for test and measurement, with test point, orange disconnect link		2-conductor carrier terminal block, with test point		2-conductor through terminal block, with test point, same profile as 2-conductor disconnect terminal block	
gray 2006-8671	12	gray 2006-8661	12	gray 2006-8601	12
blue 2006-8674	12	blue 2006-8664	12	blue 2006-8604	12
Item-Specific Accessories					
Disconnect plug for carrier terminal blocks, suited when using a carrier terminal block as disconnect terminal block 					
		orange 2006-8401	48 (4x12)		

2006 Series Accessories

Appropriate marking systems: WMB/Marking strips (see Section 13)

End and intermediate plate, 1 mm thick orange 2006-8692 48 (4x12) gray 2006-8691 48 (4x12)	WMB Multi marking system, 10 strips with 10 markers per card, for terminal widths 5 ... 17.5 mm plain 793-501 5
Protective warning marker, ④ with high-voltage symbol, black, for 5 terminal blocks yellow 2006-115 100 (4x25)	WMB Multi marking system, plain, 10 strips with 10 markers per card, for terminal widths 5 ... 17.5 mm yellow 793-501/000-002 red 793-501/000-005 blue 793-501/000-006 gray 793-501/000-007 orange 793-501/000-012 light green 793-501/000-017 green 793-501/000-023 violet 793-501/000-024 5
Push-in type jumper bar, insulated, I _N 41 A, light gray from 1 to 3 2006-433 50 (2x25) from 1 to 5 2006-435 50 (2x25)	Marking strip, plain, 11 mm wide, 50 m roll white 2009-110 1
Lockout cap, for conductor entry hole and operating slot gray 2006-191 25	WMB Inline, plain, stretchable 5 ... 5.2 mm, 1,500 WMB markers, 5 mm, on roll white 2009-115 1