

# EK Type Support Unit

## Square Type for Fixture

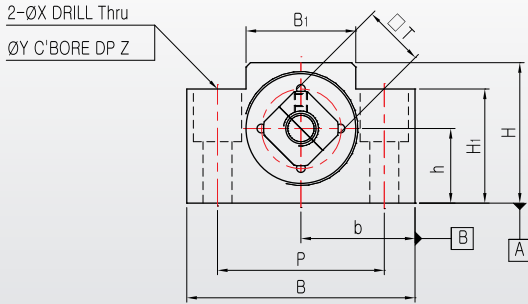


**RoHS COMPLIANT** **REACH**  
The new EU Chemicals Regulation

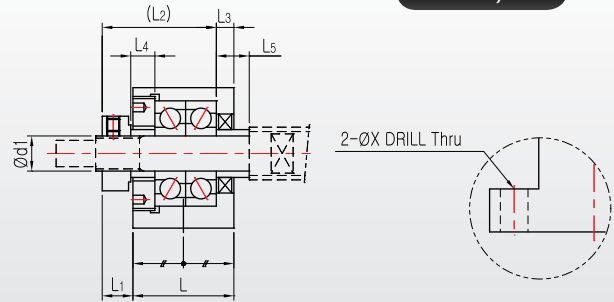


Please, download CAD DATA from [www.sungilfa.com](http://www.sungilfa.com)

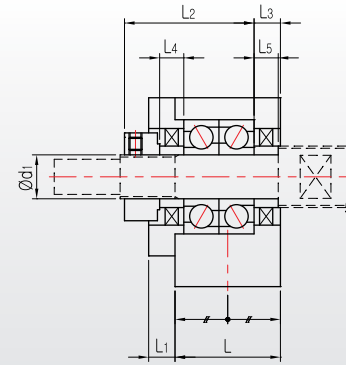
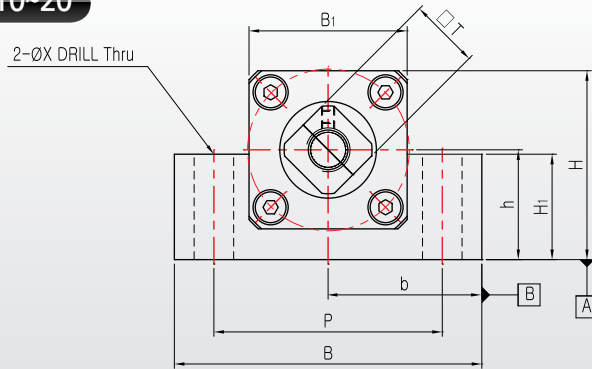
### EK 6~8



### EK 4, 5



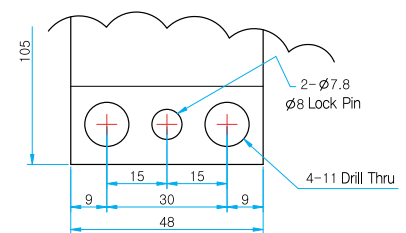
### EK 10~20



### Note

1. The surfaces A and B are reference for installation. Please, use the accurate size spacer if adjusting height is necessary.
2. Do not disassemble the support unit since the preload of the bearing has already been adjusted.
3. Appropriate amount of grease is filled in the bearing of fixed-side support unit.
4. Radial ball bearing is in EK-4 and EK-5 and it is suitable for use on portions it where axial load is small.
5. Please refer to page 66 about bearing type and characteristic according to Support Unit grade
6. Please refer to page 86 for fastening torque of the lock nut.

### EK 25 Reference



Unit : mm

Model No.	d <sub>1</sub>	L	L <sub>1</sub>	L <sub>2</sub>	L <sub>3</sub>	B	H	b±0.02	h±0.02	B <sub>1</sub>	H <sub>1</sub>	P	X	Y	Z	Collar Size		□T	Mass (g)
																L <sub>4</sub>	L <sub>5</sub>		
EK4 P5 / P0-C7	4	15	5.5	17.5/18.5	3/2	34	19	17	10	18	7	26	4.5	-	-	4.5/3.5	4.5/3.5	10	50
EK5 P5 / P0-C7	5	16.5	5.5/6.5	19.5	3.5	36	21	18	11	20	8	28	4.5	-	-	5.5/4.5	5.5/4.5	11	68
EK6	6	20	5.5	22	3.5	42	25	21	13	18	20	30	5.5	9.5	11	5	7	12	120
EK8	8	23	7	26	4	52	32	26	17	25	26	38	6.6	11	12	5.5	7.5	14	230
EK10	10	24	6	29.5	6	70	43	35	25	36	24	52	9	-	-	5.5	5.5	16	430
EK12	12	24	6	29.5	6	70	43	35	25	36	24	52	9	-	-	5.5	5.5	19	420
EK15	15	25	6	36	5	80	50	40	30	41	25	60	11	-	-	10	10	22	530
EK20	20	42	10	50	10	95	58	47.5	30	56	25	75	11	-	-	11	11	30	1310
EK25	25	48	13	59	14	105	68	52.5	35	66	25	85	(Refer to Drawing)			14	14	35	1950