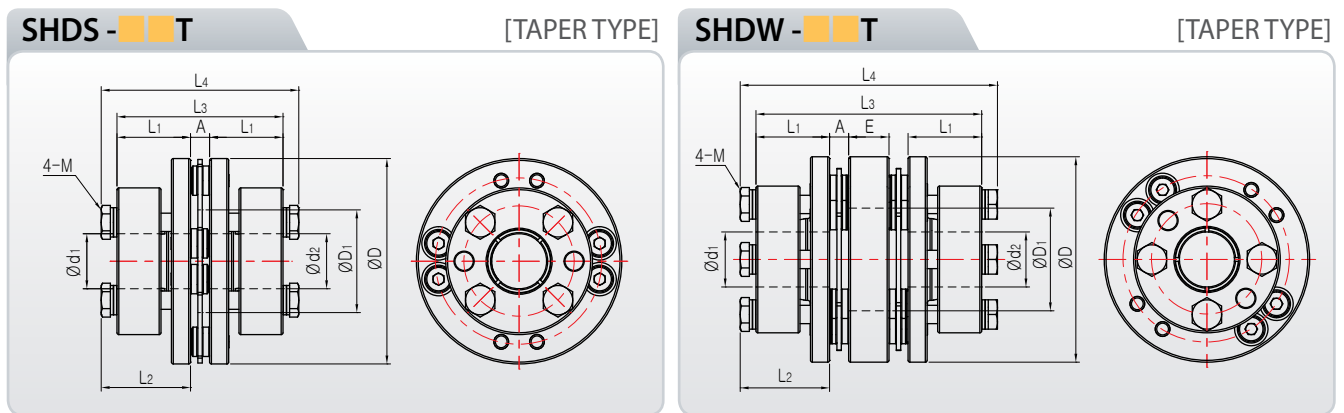


SHD Series High Torque Flexible Disk Coupling

Please, download CAD DATA from www.sungilfa.com



Dimensions & Performance

Product Number	SHDS - 56T	SHDW - 56T	SHDS - 66T	SHDW - 66T	SHDS - 88T	SHDW - 88T	SHDS - 110T	SHDW - 110T
ØD	56	56	66	66	88	88	108	108
L1	20.2	20.2	25	25	30	30	30.7	30.7
L2	24.7	24.7	30	30	35.2	35.2	35.9	35.9
A	5.2	5.2	7.5	7.5	9.9	9.9	8.7	8.7
L3	45.6	61.8	57.5	81	69.9	99.8	70.1	103.4
L4	54.6	70.8	67.5	91	80.3	110.2	80.5	113.8
ØD1	30.6	28.6	35.6	35.6	46	46	61.5	61.5
E	-	11	-	16	-	20	-	24.6
M	M5	M5	M6	M6	M6	M6	M6	M6
Wrench Torque(N·m)	8	8	13	13	13	13	13	13
Allowable Torque(N·m)	60	60	120	120	200	200	350	350
Max. RPM	7,700	7,700	7,000	7,000	6,000	6,000	4,500	4,500
Moment of Inertia(Kg·m ²)	3.6 × 10 ⁻⁵	5.4 × 10 ⁻⁵	8.6 × 10 ⁻⁵	1.2 × 10 ⁻⁴	3.2 × 10 ⁻⁴	4.6 × 10 ⁻⁴	1.6 × 10 ⁻³	3.7 × 10 ⁻³
Torsional Stiffness(N·m/rad)	2.0 × 10 ⁴	1.0 × 10 ⁴	3.0 × 10 ⁴	1.5 × 10 ⁴	7.0 × 10 ⁴	3.5 × 10 ⁴	1.4 × 10 ⁵	7.0 × 10 ⁴
Mass(g)	190	280	320	460	670	970	980	1,530
Allowable Angular Misalignment(°)	0.7	1	0.7	1	0.7	1	0.7	1
Allowable Parallel Misalignment(±mm)	0.02	0.2	0.02	0.2	0.02	0.2	0.02	0.25
Allowable End-Play(±mm)	0.3	0.6	0.3	0.6	0.3	0.6	0.5	1

* Mass and mass moment of inertia are measured with max. bore size.

* Allowable torque is stated based on the smallest shaft diameter. If the size of shaft diameter with surface pressure becomes larger, allowable torque will get higher.

Standard Inner diameter

Product Number	Standard Inner Diameter(d ₁ , d ₂ , unit:mm)																								
	10	11	12	14	15	16	18	19	20	22	24	25	26	28	30	32	35	38	40	42	45	48	50	55	60
SHD □ - 56 □	●	●	●	●	●	●	●	●	●	●	●	●													
SHD □ - 66 □					●	●	●	●	●	●	●	●	●	●	●	●									
SHD □ - 88 □									●	●	●	●	●	●	●	●	●	●	●	●	●	●			
SHD □ - 110 □																●	●	●	●	●	●	●	●	●	●

■ We recommend that tolerance of shaft is h7.