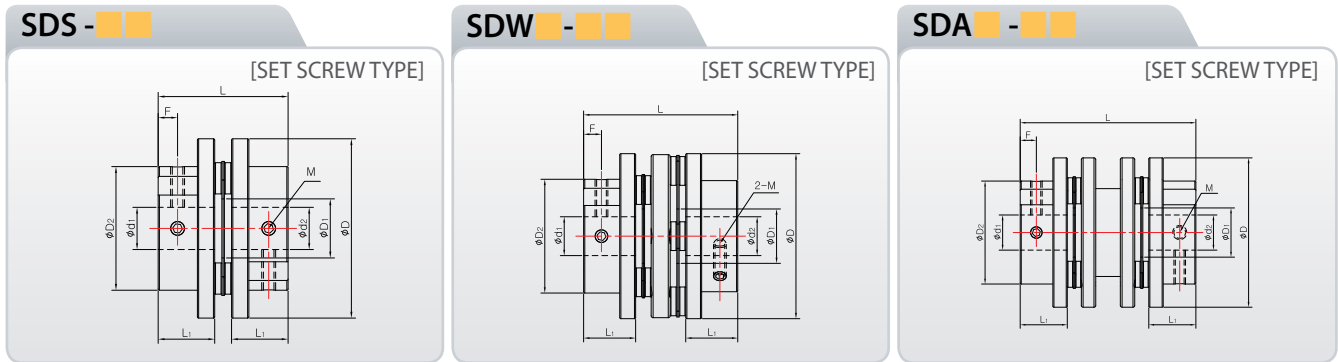


SD Series Zero Backlash Disk Coupling

Please, download CAD DATA from www.sungilfa.com



Dimensions & Performance

Product Number	Dimension (mm) (±0.3)						Fastening Bolt M	Fastening Torque (N·m)	Max. RPM (min ⁻¹)	Max Torque (N·m)	Rated Torque (N·m)	Torsional Stiffness (N·m/rad)	Moment of Inertia (kg·m ²)	Mass (g)	Permissible Misalignment		
	D	D ₁	D ₂	L	L ₁	F									Angle (°)	Parallel (mm)	End-Play (mm)
SDS-42	42.5	18	29.3	30.8	13.4	4.6	M4	1.7	8,000	14	7	2,800	1.7×10 ⁻⁵	65	1	0.02	±0.25
SDWA-42	42.5	18	29.3	39.7	13.4	4.6	M4	1.7	8,000	14	7	2,000	2.1×10 ⁻⁵	84	1.5	0.18	±0.5
SDWB-42	42.5	18	29.3	44.2	13.4	4.6	M4	1.7	8,000	14	7	2,000	2.4×10 ⁻⁵	94	1.5	0.18	±0.5
SDAA-42	42.5	18	29.3	50	13.4	4.6	M4	1.7	8,000	14	7	2,000	2.7×10 ⁻⁵	105	1.5	0.18	±0.5
SDAB-42	42.5	18	29.3	57.9	13.4	4.6	M4	1.7	8,000	14	7	2,000	2.8×10 ⁻⁵	110	1.5	0.18	±0.5
SDAC-42	42.5	18	29.3	67.3	13.4	4.6	M4	1.7	8,000	14	7	2,000	2.9×10 ⁻⁵	115	1.5	0.18	±0.5
SDS-47	47	20.4	33	31.4	13.9	4.5	M5	4	8,000	24	12	6,000	2.7×10 ⁻⁵	91	1	0.02	±0.25
SDWA-47	47	20.4	33	39.9	13.9	4.5	M5	4	8,000	24	12	4,000	3.4×10 ⁻⁵	115	1.5	0.2	±0.5
SDWB-47	47	20.4	33	45.7	13.9	4.5	M5	4	8,000	24	12	4,000	3.6×10 ⁻⁵	120	1.5	0.2	±0.5
SDAA-47	47	20	33	58.1	13.9	4.5	M5	4	8,000	24	12	4,000	4.2×10 ⁻⁵	140	1.5	0.2	±0.5
SDAB-47	47	20	33	85	13.9	4.5	M5	4	8,000	24	12	4,000	4.7×10 ⁻⁵	160	1.5	0.2	±0.5
SDS-54	54	25	38.5	42.3	19	5.8	M5	4	7,500	44	22	11,000	4.9×10 ⁻⁵	130	1	0.02	±0.25
SDWA-54	54	25	38.5	55.8	19	5.8	M5	4	7,500	44	22	7,000	6.7×10 ⁻⁵	177	1.5	0.2	±0.5
SDAA-54	54	24.3	38.5	71.2	19	5.8	M5	4	7,500	44	22	7,000	9.0×10 ⁻⁵	230	1.5	0.2	±0.5
SDAB-54	54	24.3	38.5	85.1	19	5.8	M5	4	7,500	44	22	7,000	1.1×10 ⁻⁴	250	1.5	0.2	±0.5
SDS-64	64	25.8	48	58.2	26	8	M8	15	7,000	62	31	20,000	1.8×10 ⁻⁴	292	1	0.02	±0.25
SDWA-64	64	25.8	48	74.4	26	8	M8	15	7,000	62	31	11,000	2.2×10 ⁻⁴	373	1.5	0.3	±0.5
SDA-64	64	25.8	48	89.9	26	8	M8	15	7,000	62	31	11,000	2.7×10 ⁻⁴	450	1.5	0.3	±0.5

* Mass and mass moment of inertia are measured with max. bore size.

■ For SDW □-64C, cylindrical-shaped hubs are available from bore size Ø15. Please indicate "D" after the bore size when the order is placed.

■ For SDW □-64C, cylindrical-shaped hubs are used from Ø28(inner bore diameter).

Standard Inner diameter

Product Number	Standard Inner Diameter(d _i , d _j , unit:mm)																												
	5	6	6.35	7	8	9	9.525	10	11	12	12.7	14	15	15.875	16	17	18	19	20	21	22	24	25	26	28	30	35		
SD□□-42		●	●	●	●	●	●	●	●	●	●	●	●																
SD□□-47					●	●	●	●	●	●	●	●	●	●	●	●	●	●	●										
SD□□-54								●	●	●	●	●	●	●	●	●	●	●	●	●	●								
SD□□-64										●	●	●	●	●	●	●	●	●	●	●	●	●	●	●	●	●	●	●	●

■ For the inner diameter, INCH type is available

■ Nonstandard inner diameter is also available

■ Keyway is available

■ The recommendation for shaft tolerance is h7.

■ In case of the ★ inner bore diameter, a shaft cannot penetrate through the stainless steel plate spring.