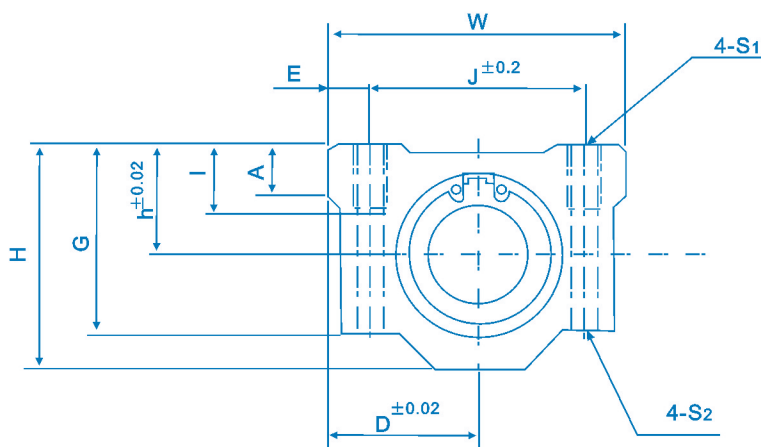


## SC Series



Standard Type					Long Type					Short Type				
Part Number	Installed L/B	Load Ratings		Wgt. (g)	Part Number	Installed L/B	Load Ratings		Wgt. (g)	Part Number	Installed L/B	Load Ratings		Wgt. (g)
		C (N)	Co (N)				C (N)	Co (N)				C (N)	Co (N)	
SC8UUN	LM8UU	274	392	52	SC8WUUN	2×LM8UU	431	784	102	SC8VUUN	LM8UU	260	400	36
SC10UUN	LM10UU	372	549	92	SC10WUUN	2×LM10UU	588	1100	180	SC10VUUN	LM10UU	370	540	63
SC12UUN	LM12UU	510	784	102	SC12WUUN	2×LM12UU	813	1570	205	SC12VUUN	LM12UU	410	590	74
SC13UUN	LM13UU	510	784	120	SC13WUUN	2×LM13UU	813	1570	240	SC13VUUN	LM13UU	500	770	85
SC16UUN	LM16UU	774	1180	200	SC16WUUN	2×LM16UU	1230	2350	400	SC16VUUN	LM16UU	770	1170	132
SC20UUN	LM20UU	882	1370	255	SC20WUUN	2×LM20UU	1400	2740	570	SC20VUUN	LM20UU	860	1370	170
SC25UUN	LM25UU	980	1570	600	SC25WUUN	2×LM25UU	1560	3140	1200	SC25VUUN	LM25UU	980	1560	405
SC30UUN	LM30UU	1570	2740	735	SC30WUUN	2×LM30UU	2490	5490	1480	SC30VUUN	LM30UU	1560	2740	495
SC35UUN	LM35UU	1670	3140	1100	SC35WUUN	2×LM35UU	2650	6270	2200	SC35VUUN	LM35UU	1660	3130	790
SC40UUN	LM40UU	2160	4020	1590	SC40WUUN	2×LM40UU	3430	8040	3200	SC40VUUN	LM40UU	2150	4010	1220
SC50UUN	LM50UU	3820	7940	3340	SC50WUUN	2×LM50UU	6080	15900	6700	SC50VUUN	LM50UU	3820	7390	2300

1N=0.102kgf