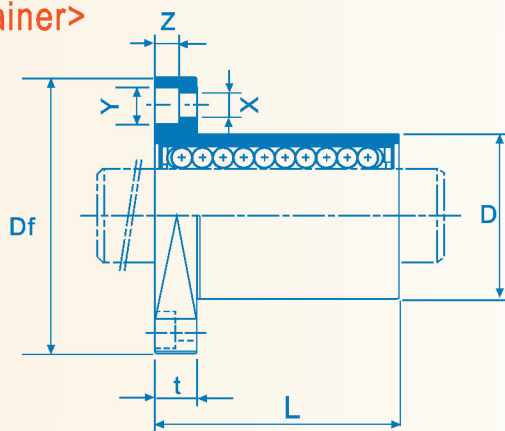


LMH <Built-in Synthetic Resin Retainer>



This type is a metric dimension series widely used in Japan and other countries



Nominal Part No.				Major Dimensions and Tolerance (mm)		
Standard Type	Seal Type	Ball Circuit	Weight g	dr Tolerance	D Tolerance	L Tolerance
LMH 6 LMH 8 LMH 10	LMH 6 UU LMH 8 UU LMH 10 UU	4 4 4	21 33 64	6 8 10	12 15 19	19 24 29
LMH 12 LMH 13 LMH 16	LMH 12 UU LMH 13 UU LMH 16 UU	4 4 5	68 81 112	12 13 16	21 23 28	30 32 37
LMH 20 LMH 25 LMH 30	LMH 20 UU LMH 25 UU LMH 30 UU	5 6 6	167 325 388	20 25 30	32 40 45	42 59 64