

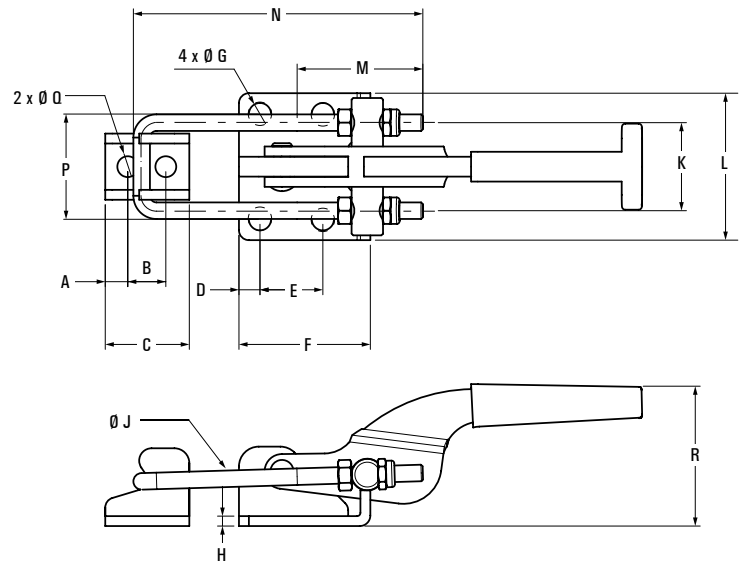
## Series 431

- Supplied with latch plate and standard U-bolt
- Optional Long U-Bolts available



**GH-431**  
**GH-40341**

Model	Description
GH-40323-SS	Stainless Steel Model of GH-40323
GH-431-SS	Stainless Steel Model of GH-431
GH-40341-SS	Stainless Steel Model of GH-40341



Model	Cross Ref. DE-STA-CO	Holding Capacity	A	B	C	D	E	F	Ø G	H	Ø J	K	L	M	N	P	Ø Q	R	Weight
GH-40323	323	360 lbs. (163 kg)	0.24 (6)	0.39 (9.9)	0.78 (19.8)	0.20 (5.2)	0.63 (15.9)	1.03 (26.2)	0.17 (4.4)	0.08 (2)	0.16 (4)	0.75 (19)	1.11 (28.2)	0.94 (24)	2.17 (55)	0.75 (19)	0.17 (4.4)	1.23 (31.3)	0.16 lb. (70 g)
GH-431	331	700 lbs. (318 kg)	0.27 (6.8)	0.45 (11.5)	1" (25.4)	0.25 (6.4)	0.75 (19)	1.56 (39.7)	0.26 (6.7)	0.12 (3)	0.20 (5)	1.05 (26.6)	1.75 (44.4)	1.50 (38)	3.44 (87.5)	1.25 (31.8)	0.25 (6.3)	1.67 (42.3)	0.50 lb. (225 g)
GH-40341	341	2,000 lbs. (900 kg)	0.37 (9.5)	0.75 (19.1)	1.50 (38.1)	0.37 (9.5)	1.63 (41.3)	2.37 (60.3)	0.34 (8.6)	0.16 (4)	0.31 (8)	1.75 (44.5)	2.13 (54)	2.05 (52)	4.50 (114.5)	1.50 (38.1)	0.33 (8.5)	3 (76.1)	1.5 lbs. (680 g)

UNIT: inch (metric mm)

**NEW**

## 40323-R

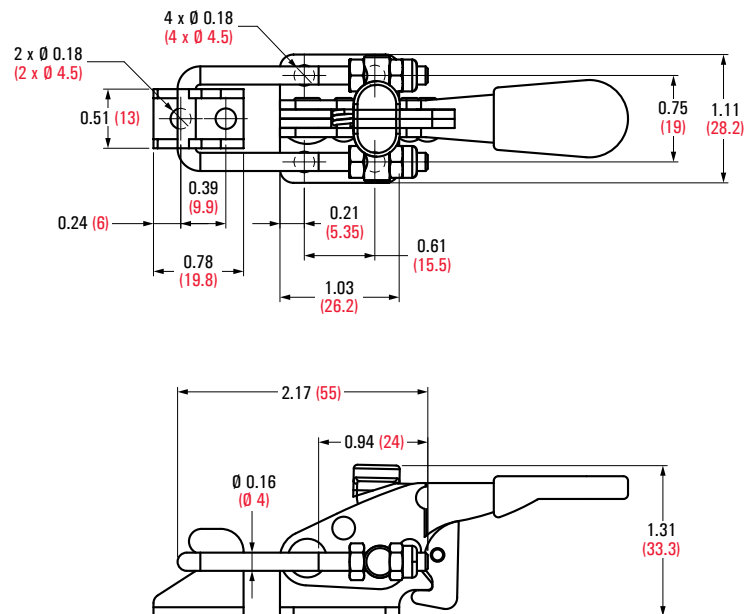
### NEW! SECURE-LOCK MODELS!

This new model features a locking lever to securely lock the clamp in the closed position. Ideal for latching applications on molds, doors, lids, and access covers.

- Cross Ref.: DE-STA-CO Model 323-R
- Holding Capacity: 360 lbs. (163 kg)
- Weight: 0.22 lb. (100 g)



**GH-40323-R**



UNIT: inch (metric mm)