



# 1.8° Size 86mm High Torque Hybrid Stepping Motor

## ● General Specification for High Torque Hybrid Stepping Motor

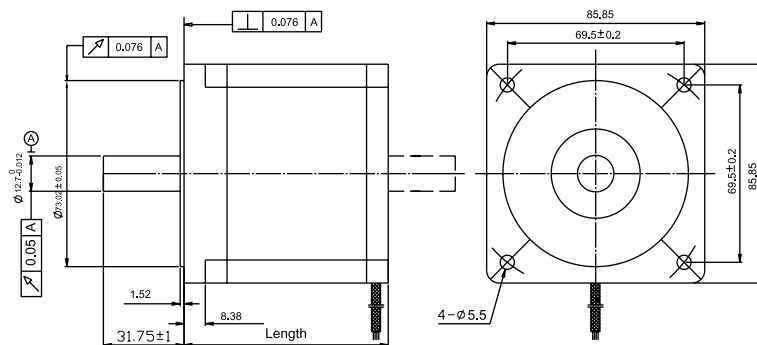
Item	Specifications
Step Angle	1.8°
Step Angle Accuracy	± 5% (full step, no load)
Resistance Accuracy	± 10%(20°C )
Inductance Accuracy	± 20%(1kHz)
Temperature Rise	80°C Max.(rated current,2 phase on)
Ambient Temperature	-20°C ~+50°C
Insulation Resistance	100MΩ Min. ,500VDC
Dielectric Strength	820VAC , 1s , 3mA
Shaft Radial Play	0.02Max. (450 g-load)
Shaft Axial Play	0.08Max. (450 g-load)
Max. radial force	220N (20mm from the flange)
Max. axial force	60N



## ● Size 86mm High Torque Hybrid Stepping Motor Specifications

Model No.		Current /Phase	Resistance /Phase	Inductance /Phase	Holding Torque (Bipolar)	# of Leads	Rotor Inertia	Weight	Detent Torque	Length
Single Shaft	Double Shaft	A	Ω	mH	kg-cm		g-cm <sup>2</sup>	kg	kg-cm	mm
FL86STH65-5904A	FL86STH65-5904B	5.9	0.29	1.7	33	4	1000	1.7	1.4	65
FL86STH65-2808A	FL86STH65-2808B	2.8	1.3	3.9	33	8				
FL86STH80-5504A	FL86STH80-5504B	5.5	0.42	3.5	45	4	1400	2.3	1.6	80
FL86STH80-4208A	FL86STH80-4208B	4.2	0.8	3.5	45	8				
FL86STH118-6004A	FL86STH118-6004B	6	0.5	6.0	85	4	2700	3.8	2.4	118
FL86STH118-4208A	FL86STH118-4208B	4.2	1.2	6.5	85	8				
FL86STH156-6204A	FL86STH156-6204B	6.2	0.72	9	122	4	4000	5.3	3.2	156
FL86STH156-4208A	FL86STH156-4208B	4.2	1.46	8.68	122	8				

## ● Dimension



## ● Wiring Diagram

