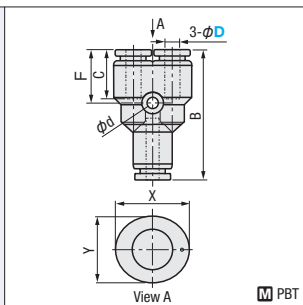
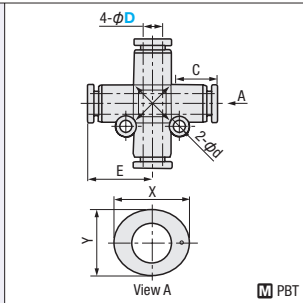
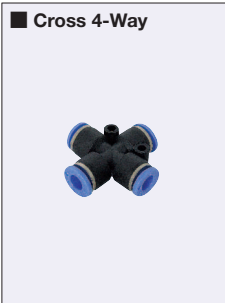




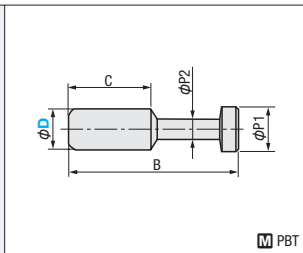
ワンタッチ継手 Quick Joint



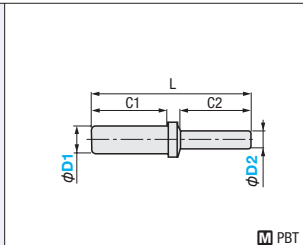
Part Number		d	B	F	C	X	Y
Type	D						
EPY	4	3.3	35.5	14	14.9	11.9	10.5
	6	3.3	37.1	14.8	15.7	13.9	12.5
	8	3.3	39.6	17.8	18.2	15.9	13.9
	10	4.3	49.3	20.6	20.7	19.5	17
	12	4.3	52.6	29.3	22.9	23	20.5



Part Number		d	E	X	Y	C
Type	D					
EPZA	8	3.2	22.8	15.9	13.9	18.2
	10	4.2	28.3	19.5	17	20.7
	12	4.3	29.6	23	20.5	22.9

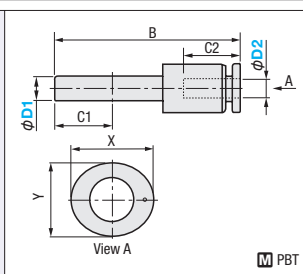


Part Number		B	P1	P2	C
Type	D				
EPP	4	28	5	3	15
	6	33	7	3	17
	8	37	9	4	18
	10	42	11	5	20.5
	12	44	13	6	23



Part Number		D2	L	C1	C2
Type	D1				
EPIG*	6	4	36	17	16
	8	6	38.5	18.5	17
	10	8	42.5	21	18.5
	12	10	46.5	22	21

(*) Not numerical one but capital letter "I".



Part Number		D2	B	C1	X	Y	C2
Type	D1						
EPGJ	6	4	41	17	13.9	10.5	15.9
	8	4	44.5	18	15.9	10.5	18.2
	8	6	45	18	15.9	12.5	18.2
	10	6	47	20	19.5	12.5	21.2
	10	8	47	20	19.5	12.5	21.2
	12	8	54	23.5	23	13.9	22.9
	12	10	54.5	23.5	23	13.9	22.9

Specifications (ref.)

Fluid used	air, vacuum
Working pressure range	0~1.0MPa
Negative pressure	-100KPa (10Torr)
Withstand Voltage	1.5MPa
Working temperature range	0~60°C
Suitable hose	nylon and PU