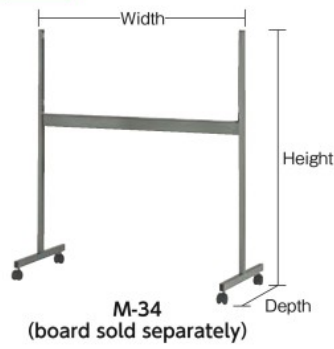


Prices displayed include 8% tax.

TRUSCO **Stock 38,650 Items**

One Side Moving Leg for Whiteboard (legs only)

Com Eco Green Purchasing Chemical Content Inspection Com Drawing



- Features**
- Wall hanger board, monthly scheduled board etc. can be easily made into legged board.
- Specs**
- **Assembly Type**
- Materials**
- Steel
- Origin**
- Japan

•Single-sided mobile leg compatible model

Legs	Compatible Board (wall hanging)	Compatible Board (month/action schedule/process control)
M-23	GH-122 GH-122 AGH-121	GL-222, GL-622, GL-722, SW704KY
M-34	GH-112 GH-112A GH-111	GL-212, GL-612, OL-25B
M-36	GH-102 GH-102A GH-101	GL-202, GL-602, OL-25

Order Unit: 1 Piece | Factory direct | No freight charge | Excluding remote islands | (Price revision date: Jan, 2016) TRUSCO NAKAYAMA CORPORATION

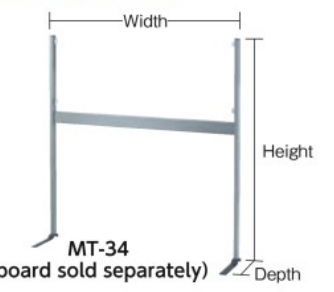
Order Code	Item No.	Price (per piece)	MSRP (per piece)	Compatible Board Size (mm)	W x D x H (mm)	SPQ (piece)	Weight (kg)
★281-5486	M-23	¥31,289	¥33,800	600 x 900	975 x 550 x 1400	1	7.5
★281-5494	M-34	¥31,289	¥33,800	900 x 1200	1275 x 550 x 1400	1	9.0
★281-5508	M-36	¥33,326	¥36,000	900 x 1800	1875 x 550 x 1400	1	12.0

Contact us: 0120-509-849 <http://www.orange-book.com/>

TRUSCO **Stock 38,650 Items**

Wall Inclining Leg for Whiteboard (only leg)

Com Eco Green Purchasing Com Drawing



- Features**
- Wall hanger board, monthly scheduled board etc. can be easily made into legged board.
 - Since it is a leg for a wall, there is no need to drill on a wall.
 - Optimum for a wall that a wall hanger board cannot be installed.
- Specs**
- **Assembly Type**
- Materials**
- Steel
- Origin**
- Japan

•Compatible model for wall leg

Legs	Compatible Board (wall hanging)	Compatible Board (monthly/process control)
MT-34	GH-112 GH-112A GH-111	GL-212, GL-612, OL-25B
MT-36	GH-102 GH-102A GH-101	GL-202, GL-602, OL-25

Order Unit: 1 Piece | Factory direct | No freight charge | Excluding remote islands | (Price revision date: Jan, 2016) TRUSCO NAKAYAMA CORPORATION

Order Code	Item No.	Price (per piece)	MSRP (per piece)	Compatible Board Size (mm)	W x D x H (mm)	Total height when installing a board (mm)	SPQ (piece)	Weight (kg)
★352-5210	MT-34	¥29,993	¥32,400	900 x 1200	1250 x 283 x 1335	1715	1	8.5
★352-5201	MT-36	¥32,030	¥34,600	900 x 1800	1850 x 283 x 1335	1715	1	11.0

Contact us: 0120-509-849 <http://www.orange-book.com/>

Warning

- It is the L-shaped leg, so it becomes unstable if it is used apart from a wall. It must be used close to a wall.

WriteBest **Stock 104 Items**

Leg for One-sided Movable Board (leg only)



- Features**
- It can move smoothly with the lock function.
 - It becomes very durable by adding a horizontal bar.
- Specs**
- **Assembly Type**
- Materials**
- Steel
- Origin**
- Malaysia



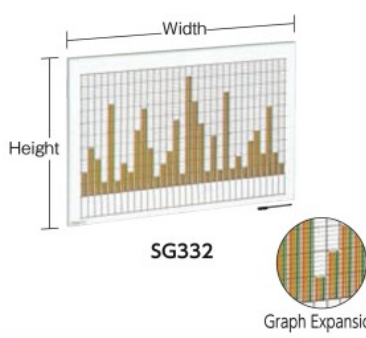
Order Unit: 1 Piece | WriteBest Group of Companies

Order Code	Item No.	Price (per sheet)	MSRP (per sheet)	Compatible Body	W x D x H (mm)	SPQ (piece)	Weight (kg)
836-9218	MC1	¥7,599	-	PPGI23, PPGI33	900 x 500 x 1570 to 1880	1	7.0
836-9219	MC2	¥7,599	-	PPGI24, PPGI34, PPGI44	1200 x 500 x 1570 to 2080	1	7.5
836-9220	MC3	¥7,599	-	PPGI35, PPGI36, PPGI45, PPGI46	1500 to 2400 x 500 x 1880 to 2080	1	8.0

NIHONTOUKEIKI **Stock 15 Items**

Small Chart Type

New Made to Order RoHS



- Features**
- Optimum for business results and inventory management.
 - You can use it vertically or horizontally.
 - It is with an aqueous OHP marker.
 - With suspension metal fitting
- Specs**
- **Assembly Type**
- Materials**
- Frame: Aluminum
 - Surface: Recycled PET resin
 - Tape: Polyester
- Origin**
- Japan

Order Unit: 1 Sheet | NIHONTOUKEIKI

Order Code	Item No.	Price (per sheet)	MSRP (per sheet)	Tape Color	W x D x H (mm)	Digit (rows)	SPQ (sheet)	Weight (kg)
463-9693	SG220	¥23,143	-	Orange/Green	454 x 18 x 553	20	1	2.1
463-9707	SG240	¥33,557	-	Orange/Green	814 x 18 x 553	40	1	3.5
463-9715	SG316	¥25,226	-	Orange/Olive/Green	478 x 18 x 553	16	1	2.2
463-9723	SG332	¥36,103	-	Orange/Olive/Green	860 x 18 x 553	32	1	3.7

Contact us: 03-3753-3111 <http://www.nikky.co.jp/>

Stationery
Writing Tools, Correcting Tools
Glues, Tapes, Scissors
Finger Cots, Stamps
Terrestrial Globes
Security Seals
Forms, Envelopes
Sticky Sheets, Index Labels
File/Bookstands
Electronic Stationeries
Punches, Staplers
Name Plates
Batteries
Calculators
Check Writers
Time Recorders
Wall Clocks
Equipments for Label
Laminators, Shredders
Rice Cookers, Pots, Water Bottles
Store Fixtures
Electric Black Boards
Office Boards
Bulletin Boards
Magnets
Clips, Hooks
Desk Mats
Gift Recommended Products