

Steel Wheel Conveyors

For Option Parts, see p. 8-1294/For Single Wheels, see p. 8-1296 The number next to the logo mark indicates items in stock for each brand.

Conveyors

Steel Roller Conveyors

Stainless Steel Roller Conveyors

Aluminum Roller Conveyors

Resin Roller Conveyors

Extension Roller Conveyors

Wheels Conveyors

Ball Casters Units

Upward Ball Casters

Downward Ball Casters

Upward/Downward Combined Use Ball Casters

Cleanroom Type Ball Casters

Ball Casters for Special Purpose

Motor Pulleys, Motor Rollers

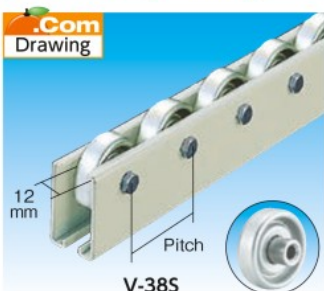
Belt Conveyors

Mini Belt Conveyors

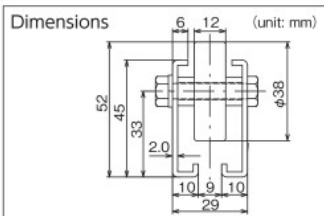
Belts

TRUSCO **Stock 38,650 Items**

Wheel Conveyor (wheel diameter 38mm) **Made to Order**



- Features** • It is a general-purpose wheel conveyor and suitable for all uses. Besides installing in a rack, it is also demonstrates its effect as a stock conveyor.
- Use** • For racks, stacks such as to conveyors.
- Specs** • **Wheel: Pressed Steel**
• **Load Per Wheel: 20kg**
• **Wheel Width: 12mm**
• **Mounting Bolt: With carriage M8 x 20L 2 sets**
- Materials** • Frame: Steel
• Wheel: Steel
- Origin** • Japan



Order Unit: 1 Piece TRUSCO NAKAYAMA CORPORATION

Order Code	Item No.	Price (per piece)	MSRP (per piece)	Pitch (mm)	Conveyor Length (mm)	SPQ (piece)	Weight (kg)
510-2596	V-38S-50-1800	¥ 7,294	¥ 7,880	50	1800	1	5.2
510-2600	V-38S-50-2000	¥ 8,165	¥ 8,820	50	2000	1	5.7
510-2618	V-38S-50-2400	¥ 9,498	¥ 10,260	50	2400	1	6.8
510-2626	V-38S-50-3000	¥ 12,247	¥ 13,230	50	3000	1	8.5
510-2634	V-38S-75-1800	¥ 5,907	¥ 6,380	75	1800	1	4.6
510-2642	V-38S-75-2000	¥ 6,555	¥ 7,080	75	2000	1	5.1
510-2651	V-38S-75-2400	¥ 7,859	¥ 8,490	75	2400	1	6.1
510-2669	V-38S-75-3000	¥ 9,831	¥ 10,620	75	3000	1	7.6
510-2677	V-38S-100-1800	¥ 5,129	¥ 5,540	100	1800	1	4.3
510-2685	V-38S-100-2000	¥ 5,702	¥ 6,160	100	2000	1	4.8
510-2693	V-38S-100-2400	¥ 6,841	¥ 7,390	100	2400	1	5.7
510-2707	V-38S-100-3000	¥ 8,544	¥ 9,230	100	3000	1	7.1

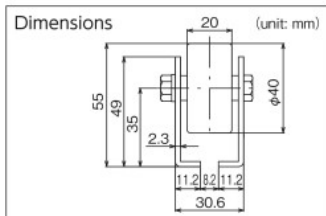
Contact us: 0120-509-849 <http://www.orange-book.com/>

TRUSCO **Stock 38,650 Items**

Wheel Conveyor (wheel diameter 40mm) **Made to Order**



- Features** • It is a wide type so it can convey large workpieces stably.
- Use** • For racks, stacks such as to conveyors.
- Specs** • **Wheel: Pressed Steel**
• **Load Per Wheel: 20kg**
• **Wheel width: 20mm**
- Materials** • Frame: Steel
• Wheel: Steel
- Origin** • Japan



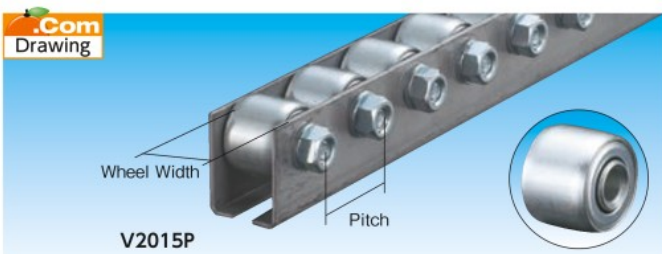
Order Unit: 1 Piece TRUSCO NAKAYAMA CORPORATION

Order Code	Item No.	Price (per piece)	MSRP (per piece)	Pitch (mm)	Conveyor Length (mm)	SPQ (piece)	Weight (kg)
511-7038	V-40T-50-1800	¥ 9,192	¥ 9,930	50	1800	1	5.6
511-7046	V-40T-50-2000	¥ 10,202	¥ 11,020	50	2000	1	6.2
511-7054	V-40T-50-2400	¥ 12,210	¥ 13,190	50	2400	1	7.5
511-7062	V-40T-50-3000	¥ 15,246	¥ 16,470	50	3000	1	9.4
511-7071	V-40T-75-1800	¥ 7,452	¥ 8,050	75	1800	1	5.0
511-7089	V-40T-75-2000	¥ 8,165	¥ 8,820	75	2000	1	5.6
511-7097	V-40T-75-2400	¥ 9,905	¥ 10,700	75	2400	1	6.7
511-7101	V-40T-75-3000	¥ 12,349	¥ 13,340	75	3000	1	8.3
511-7119	V-40T-100-1800	¥ 6,322	¥ 6,830	100	1800	1	4.7
511-7127	V-40T-100-2000	¥ 7,035	¥ 7,600	100	2000	1	5.2
511-7135	V-40T-100-2400	¥ 8,414	¥ 9,090	100	2400	1	6.3
511-7143	V-40T-100-3000	¥ 10,488	¥ 11,330	100	3000	1	7.8

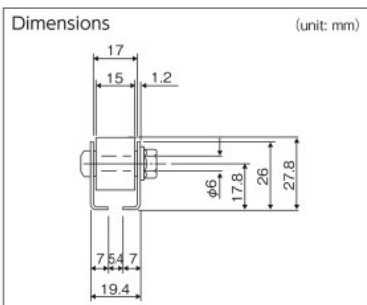
Contact us: 0120-509-849 <http://www.orange-book.com/>

TRUSCO **Stock 38,650 Items**

Wheel Conveyor (wheel diameter 20mm) **Made to Order**



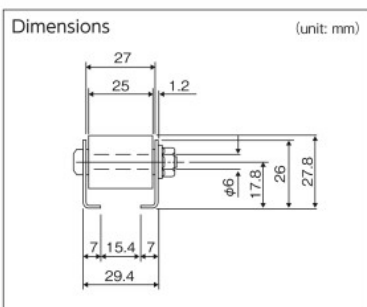
- Features** • It has a small diameter and pitch so conveyance is smooth.
- Use** • For conveying parts between processes.
• For conveying items with unusual shape.
- Specs** • **Wheel: Pressed Steel**
• **Load Per Wheel: 20kg**
- Materials** • Frame: Hot dip zinc-plated steel plate
• Wheel: Steel
- Origin** • Japan



Wheel width 15mm

Order Unit: 1 Piece | Factory direct | No freight charge | Excluding remote islands | TRUSCO NAKAYAMA CORPORATION

Order Code	Item No.	Price (per piece)	MSRP (per piece)	Pitch (mm)	Conveyor Length (mm)	SPQ (piece)	Weight (kg)
★461-1411	V2015P-25-1000	¥ 11,978	¥ 12,940	25	1000	1	1.87
★461-1420	V2015P-25-1500	¥ 17,598	¥ 19,010	25	1500	1	2.80
★461-1438	V2015P-25-2000	¥ 23,217	¥ 25,080	25	2000	1	3.74
★461-1446	V2015P-30-1000	¥ 10,396	¥ 11,230	30	1000	1	1.68
★461-1454	V2015P-30-1500	¥ 15,145	¥ 16,360	30	1500	1	2.52
★461-1462	V2015P-30-2000	¥ 20,023	¥ 21,630	30	2000	1	3.36
★461-1471	V2015P-35-1000	¥ 9,331	¥ 10,080	35	1000	1	1.54
★461-1489	V2015P-35-1500	¥ 13,359	¥ 14,430	35	1500	1	2.31
★461-1497	V2015P-35-2000	¥ 17,478	¥ 18,880	35	2000	1	3.08



Wheel width 25mm

Order Unit: 1 Piece | Factory direct | No freight charge | Excluding remote islands |

Order Code	Item No.	Price (per piece)	MSRP (per piece)	Pitch (mm)	Conveyor Length (mm)	SPQ (piece)	Weight (kg)
★461-1616	V2025P-25-1000	¥ 12,219	¥ 13,200	25	1000	1	2.43
★461-1624	V2025P-25-1500	¥ 17,950	¥ 19,390	25	1500	1	3.64
★461-1632	V2025P-25-2000	¥ 23,670	¥ 25,570	25	2000	1	4.86
★461-1641	V2025P-30-1000	¥ 10,599	¥ 11,450	30	1000	1	2.14
★461-1659	V2025P-30-1500	¥ 15,459	¥ 16,700	30	1500	1	3.21
★461-1667	V2025P-30-2000	¥ 20,440	¥ 22,080	30	2000	1	4.28
★461-1675	V2025P-35-1000	¥ 9,516	¥ 10,280	35	1000	1	1.94
★461-1683	V2025P-35-1500	¥ 13,626	¥ 14,720	35	1500	1	2.91
★461-1691	V2025P-35-2000	¥ 17,838	¥ 19,270	35	2000	1	3.88

Contact us: 0120-509-849 <http://www.orange-book.com/>