

▶▶▶ The countersunk head tapping screw, see p. 2-477 to 478.

The number next to the logo mark indicates items in stock for each brand.

TRUSCO **Stock 38,650 Items**

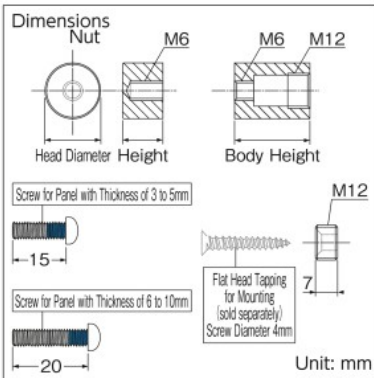
Bolt Standoff



SN-AA210, 256

- Features**
- The bolt standoff is a standoff that allows safe and easy sign replacement by suspending panels such as an acrylic board to the main body screw mounted on the wall.
 - Two types of screws that can be selected according to the thickness of the panel used come as attachments, enabling it to be used for a wide range of plate thickness from 3 to 10mm.
 - The standoff is ideal for mounting signs to hard-to-reach places or frequently replaced signs.
- Specs**
- Countersunk Screw Diameter for Use: 4mm (sold separately)
 - 2 packings attached
 - Hole Diameter of Mounting Object: 8mm
 - Thickness of Mounting Object: 3 to 10mm

- Materials**
- Main Body: Brass
 - Surface Treatment: Chrome-Plated Finishing
 - Attached Screw: Steel (unichrome finishing)
 - Washer: Brassware
- Origin**
- China



Order Unit: 1 Piece

Order Code	Item No.	Price (per piece)	MSRP (per piece)	Nut Head (mm) Diameter x Height	Body Height (mm)	SPQ (piece)	Weight (g)
855-5736	SN-AA210	¥1,472	¥1,590	20 x 10	25	10	88
855-5737	SN-AA256	¥2,037	¥2,200	20 x 10	35	10	108

Contact us: 0120-509-849 <http://www.orange-book.com/>

TRUSCO NAKAYAMA CORPORATION

Hexagon Bolts

Hexagon Socket Head Cap Screws

Hexagon Socket Set Screws

Wing Bolts

Decoration Screws, Nuts

Nuts

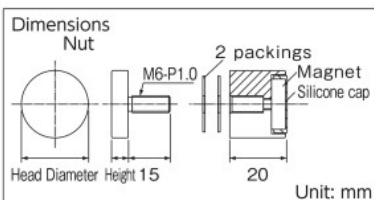
TRUSCO **Stock 38,650 Items**

Magnet Mount Standoff



SN-AA395

- Features**
- The screw-less magnetic type standoff that can be installed easily to any magnetic objects such as iron walls, partitions and iron doors.
- Use**
- Easy construction standoff that can be attached to iron wall panels with a magnet.
- Specs**
- Reference Working Load: 3kg
 - 2 packings attached
 - Hole Diameter of Mounting Object: 8mm
 - Thickness of Mounting Object: 3 to 8mm
- Materials**
- Main Body: Brass
 - Surface Treatment: Chrome-Plated Finishing
- Origin**
- Japan



Order Unit: 1 Piece

Order Code	Item No.	Price (per piece)	MSRP (per piece)	Nut Head (mm) Diameter x Height	Body Height (mm)	SPQ (piece)	Weight (g)
855-5742	SN-AA395	¥2,083	¥2,250	24 x 6	20	10	126

Contact us: 0120-509-849 <http://www.orange-book.com/>

TRUSCO NAKAYAMA CORPORATION

Tapping Screws

Wood Screws

Nails

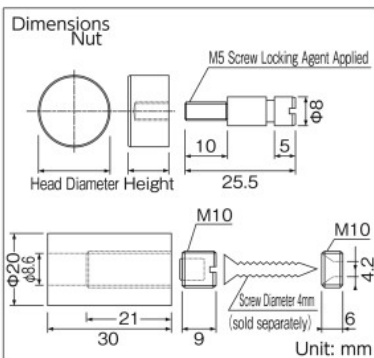
TRUSCO **Stock 38,650 Items**

Magnet Standoff



SN-AA390

- Features**
- The head of the magnet standoff which sandwiches the plate does not have a screw shape and can be fixed to the magnet on the body by just pushing the head, therefore is easier to attach/detach than a screw type that fixes by twisting.
 - Speedy installation is possible.
- Use**
- For frequently replaced places such as changing menus.
- Specs**
- Countersunk Screw Diameter for Use: 4mm (sold separately)
 - Hole Diameter of Mounting Object: 5 and 8.5mm
 - Thickness of Mounting Object: 3 to 5mm
- Materials**
- Main Body: Brass (chrome-plated finishing)
 - Inside Frame: Steel (nickel-plated finishing)
 - Magnet Frame: Brass/Neodymium Magnet (cloth/nickel plating)
 - Washer: Brassware
- Origin**
- Japan



Order Unit: 1 Piece

Order Code	Item No.	Price (per piece)	MSRP (per piece)	Nut Head (mm) Diameter x Height	Body Height (mm)	SPQ (piece)	Weight (g)
855-5741	SN-AA390	¥2,517	¥2,720	20 x 10	30	10	103

Contact us: 0120-509-849 <http://www.orange-book.com/>

TRUSCO NAKAYAMA CORPORATION