

Prices displayed include 8% tax.

For Anchors, see p. 2-488 to 491

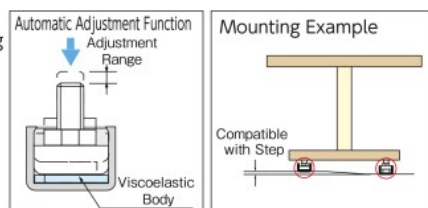
Machine Tools

SUGATSUNE Stock **766** Items

Automatic Adjustment Function-equipped Adjuster (50kgf type)



- Features**
- An adjuster that uses a special viscoelastic body to automatically resolve the legs of a table from rattling due to the floor being uneven.
 - The automatic adjustment range is 3mm.
 - For under the table.
- Use**
- Body: Steel, PE Resin
 - Cover: Polyethylene (PE)
- Origin**
- Japan



Order Unit: 1 Piece

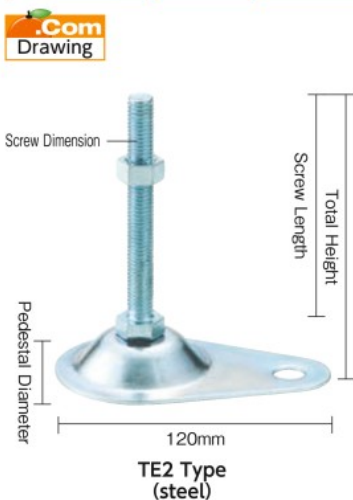
Order Code	Item No.	Price (per piece)	MSRP (per piece)	Allowable Weight (kgf)	Screw Dimension	Screw Length (mm)	Total Height (mm)	Pedestal Diameter (mm)	SPQ (piece)	Weight (g)
361-1264	SAJ30-10M6	¥648	¥600	50	M6	15	34	32	1	21
361-1272	SAJ30-10M8	¥648	¥600	50	M8	14	33	32	1	25
361-1256	SAJ30-10M10	¥648	¥600	50	M10	18	37	32	1	38

SUGATSUNE KOGYO Co.Ltd.

Contact us:03-3851-1122 <http://www.sugatsune.co.jp/>

TRUSCO Stock **38,650** Items

Adjuster Bolt (500/600kgf type with a stopper plate)



- Features**
- Has an anchor hole for fixing to the floor surface.
 - A hole is provided in the pedestal, and it can be fixed with an anchor to the floor. Used to prevent the target device from moving due to violent vibration or the like.
- Use**
- Machine tool, vending machine, conveyor, working table, control panel, physicochemical machinery.
- Specs**
- Recommended Anchor Size: M12
- Origin**
- China

Steel Materials •Screw: Steel
•Pedestal: Steel

Order Unit: 1 Piece

(Price revision date: Jan, 2016) TRUSCO NAKAYAMA CORPORATION

Order Code	Item No.	Price (per piece)	MSRP (per piece)	Allowable Weight (kgf)	Screw Dimension	Screw Length (mm)	Total Height (mm)	Pedestal Diameter (mm)	SPQ (piece)	Weight (g)
360-9774	TE2-12X100	¥482	¥520	500	M12 x 1.75	100	127	75	60	230
360-9782	TE2-12X120	¥518	¥560	500	M12 x 1.75	120	147	75	60	240
360-9791	TE2-12X150	¥620	¥670	500	M12 x 1.75	150	177	75	60	260
360-9804	TE2-16X100	¥694	¥750	500	M16 x 2.00	100	129	75	60	340
360-9812	TE2-16X130	¥694	¥750	500	M16 x 2.00	130	159	75	50	400
360-9821	TE2-16X150	¥723	¥780	500	M16 x 2.00	150	179	75	50	410
360-9839	TE2-16X180	¥759	¥820	500	M16 x 2.00	180	209	75	40	450
360-9847	TE2-20X100	¥796	¥860	500	M20 x 2.50	100	132	75	20	510
360-9855	TE2-20X130	¥870	¥940	500	M20 x 2.50	130	162	75	20	570
360-9863	TE2-20X150	¥897	¥970	500	M20 x 2.50	150	182	75	20	610
360-9871	TE2-20X180	¥972	¥1,050	500	M20 x 2.50	180	212	75	20	670

Stainless Steel Materials •Screw: Stainless Steel(SUS304)
•Pedestal: Stainless Steel(SUS304)

Order Unit: 1 Piece

(Price revision date: Jan, 2016)

Order Code	Item No.	Price (per piece)	MSRP (per piece)	Allowable Weight (kgf)	Screw Dimension	Screw Length (mm)	Total Height (mm)	Pedestal Diameter (mm)	SPQ (piece)	Weight (g)
431-5782	SUS-TE2-12X100	¥1,583	¥1,710	600	M12 x 1.75	100	127	75	60	230
431-5791	SUS-TE2-12X120	¥1,630	¥1,760	600	M12 x 1.75	120	147	75	60	240
431-5804	SUS-TE2-12X150	¥1,657	¥1,790	600	M12 x 1.75	150	177	75	60	260
431-5812	SUS-TE2-16X100	¥2,231	¥2,410	600	M16 x 2.00	100	129	75	60	340
431-5821	SUS-TE2-16X130	¥2,278	¥2,460	600	M16 x 2.00	130	159	75	50	400
431-5839	SUS-TE2-16X150	¥2,305	¥2,490	600	M16 x 2.00	150	179	75	50	410
431-5847	SUS-TE2-16X180	¥2,351	¥2,540	600	M16 x 2.00	180	209	75	40	450
431-5855	SUS-TE2-20X100	¥3,212	¥3,470	600	M20 x 2.50	100	132	75	20	510
431-5863	SUS-TE2-20X130	¥3,315	¥3,580	600	M20 x 2.50	130	162	75	20	570
431-5871	SUS-TE2-20X150	¥3,425	¥3,700	600	M20 x 2.50	150	182	75	20	610
431-5880	SUS-TE2-20X180	¥3,527	¥3,810	600	M20 x 2.50	180	212	75	20	670

Contact us:0120-509-849 <http://www.orange-book.com/>

TRUSCO Stock **38,650** Items

Base Stopper Plate



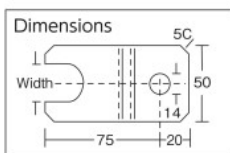
- Features**
- Fix the adjuster and stabilize the instrument.
- Use**
- To fix the adjuster.
- Specs**
- Recommended Anchor Size: M12
 - Compatible Adjuster Bolt: NA,SUS-NA, NB,SUS-NB
- Origin**
- China

Order Unit: 1 Piece

(Price revision date: Jan, 2016) TRUSCO NAKAYAMA CORPORATION

Order Code	Item No.	Price (per piece)	MSRP (per piece)	Compatible Adjuster Screw Dimension	Materials	Width (mm)	SPQ (piece)	Weight (g)
231-3839	PL12	¥269	¥290	M12	Steel	19.5	1	98
231-3847	PL16	¥269	¥290	M16	Steel	24.5	1	98
231-3855	PL20	¥269	¥290	M20	Steel	30.5	1	98
285-9254	PL12SUS	¥723	¥780	M12	Stainless Steel	19.5	1	98
365-8791	PL16SUS	¥723	¥780	M16	Stainless Steel	24.5	1	98
285-9271	PL20SUS	¥723	¥780	M20	Stainless Steel	30.5	1	98

Contact us:0120-509-849 <http://www.orange-book.com/>



Warning

- Adjuster bolt sold separately.

O-Rings· Oil Seals
Rubbers
Resins
Metal Materials
Carbon Fibers
Ceramic Materials
Vibration Absorber
Adjusters
Plungers
Springs for Die
Springs
Split Pins
Snap Rings
Oil Gauges
Oil Tank Caps
Knobs
Levers
Handles· Grips
Handles
Hinges
Slide Rails
Stays
Toggle Latches
Fastening Parts
Aluminum Frames