

L Type Clamps

The number next to the logo mark indicates items in stock for each brand.

Clamps • Vices

Toggle Clamps

Hand Vices

Grip Pliers

C-Clamps

L Type Clamp

Clamps for Temporary Structures

Welding Clamps

Hand Clamps

Bar Clamps

Special Clamps

Vices

Parts for Vices

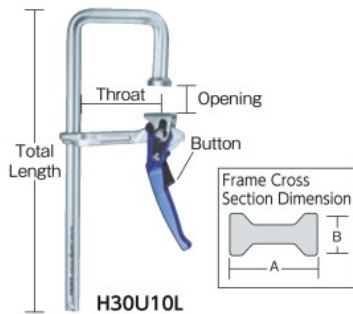


Stock 38,650 Items

Clamp MULTI Deep Jaw Type



- Features**
- Even if there are obstacles, tightening is possible because of the deep jaw.
 - **A clamp made of steel with a ratchet structure one-touch lever attached.**
- Materials**
- Cold Rolled Steel Material
- Origin**
- Taiwan



Order Unit: 1 Piece

TRUSCO NAKAYAMA CORPORATION

Order Code	Item No.	Price (per piece)	MSRP (per piece)	Total Length (mm)	Max Opening (mm)	Throat (mm)	Frame Dimension (mm)		SPQ (piece)	Weight (kg)
							A	B		
490-1339	H25U6L	¥7,878	¥8,510	410	250	120	22	10.5	2	1.78
490-1347	H30U10L	¥9,998	¥10,800	510	300	140	25	12.0	2	2.80

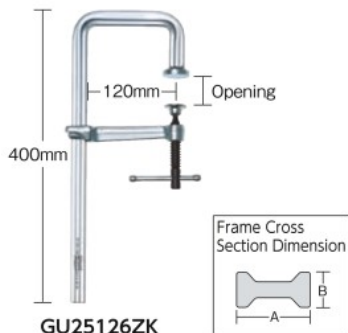
Contact us: 0120-509-849 <http://www.orange-book.com/>



Stock 100 Items

"Clamp GU Model"

- Features**
- Even if there are obstacles, tightening is possible because of the deep jaw.
- Materials**
- Carbon Steel Tools
- Origin**
- Germany



Order Unit: 1 Piece

BESSEY

Order Code	Item No.	Price (per piece)	MSRP (per piece)	Total Length (mm)	Max Opening (mm)	Throat (mm)	Frame Dimension (mm)		SPQ (piece)	Weight (kg)
							A	B		
396-1958	GU25126ZK	¥13,963	¥15,850	400	250	120	22	10.5	10	1.7

Contact us: 06-6531-0085 <http://www.daidokogyo-kk.co.jp/>



Stock 100 Items

"Clamp SGU Model"

- Features**
- Even if there are obstacles, tightening is possible because of the deep jaw.
- Materials**
- Carbon Steel Tools
- Origin**
- Germany



Order Unit: 1 Piece

BESSEY

Order Code	Item No.	Price (per piece)	MSRP (per piece)	Total Length (mm)	Max Opening (mm)	Throat (mm)	Frame Dimension (mm)		SPQ (piece)	Weight (kg)
							A	B		
396-1982	SGU301410	¥29,916	¥33,940	555	300	140	30	15	5	3.80

Contact us: 06-6531-0085 <http://www.daidokogyo-kk.co.jp/>

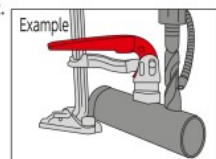


Stock 100 Items

Machine Speed Clamp

- Features**
- An one-touch clamp dedicated to machine tool for drill press, milling processing, etc.
 - The position can be freely changed, and the tightening pressure is excellent.
 - Insert and fix in the T slot of the table when mounting.
 - Can rotate 360° horizontally and fix the work freely.

- Materials**
- Carbon Steel Tools
- Origin**
- Germany



Order Unit: 1 Piece

BESSEY

Order Code	Item No.	Price (per piece)	MSRP (per piece)	Total Length (mm)	Max Opening (mm)	Max Clamping Pressure (kg)	Arm Length (mm)	Mounting Hole Diameter (mm)	SPQ (piece)	Weight (kg)
104-3137	BS-2N	¥29,191	¥33,110	260	200	350	100	10.5	1	1.35
104-3145	BS-3N	¥33,171	¥37,640	260	200	550	120	13.0	1	1.55
104-3153	BS-4N	¥36,473	¥41,370	270	200	750	120	16.5	1	2.65
104-3161	BS-5N	¥42,614	¥48,350	320	240	1000	140	16.5	1	3.30
352-8260	BS-6N	¥61,097	¥69,300	625	500	1000	140	16.5	1	4.00

BS-2N

Contact us: 06-6531-0085 <http://www.daidokogyo-kk.co.jp/>