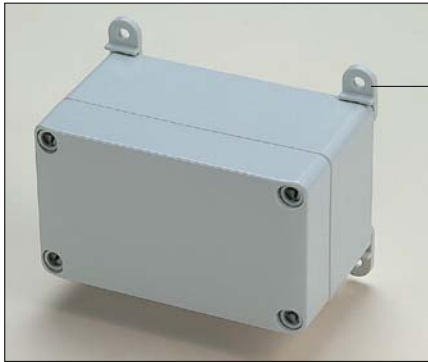


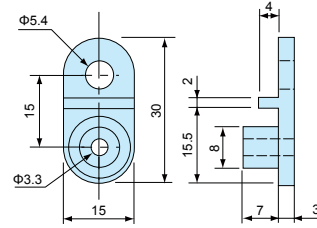
# SFL · SMS4-8 · SMP SERIES

Optional parts



SFL-1

## SFL MOUNTING BRAKET



Part no.

• Screw is attached 1 pack = 4pcs

Part no.	Material	Color	Screw	Sales unit
SFL-1	Polycarbonate	White gray	M4 Tapping	4



## SMS4-8 MOUNTING SCREW

Part no. / Dimensions

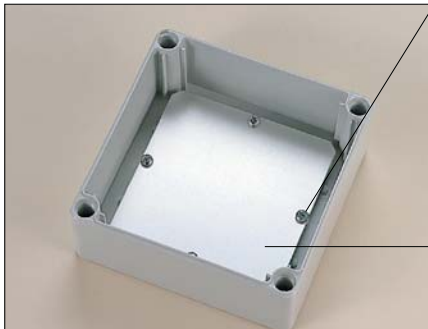
1 pack = 4pcs

Part no.	Material	Color / Finish	Sales unit
SMS4-8	Steel M4×8 Tapping	Trivalent chromate	4

## SMP MOUNTING PLATE

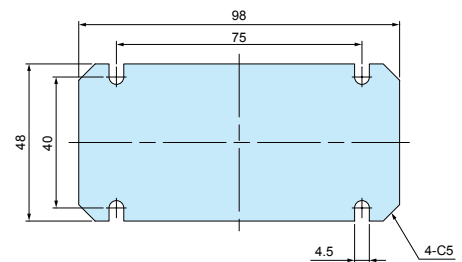
SMS4-8

• CAD data is downloadable from our web.

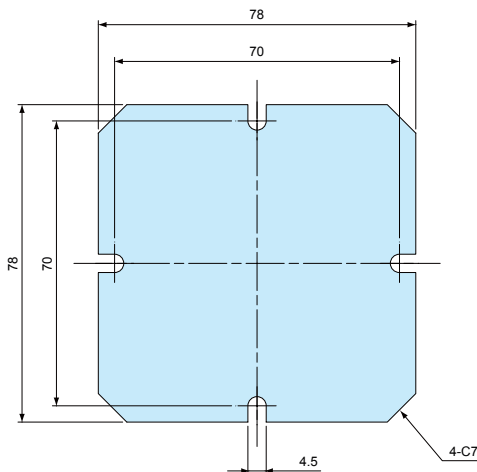


SMP

SMP 0813



SMP 1010



SMP 1313

