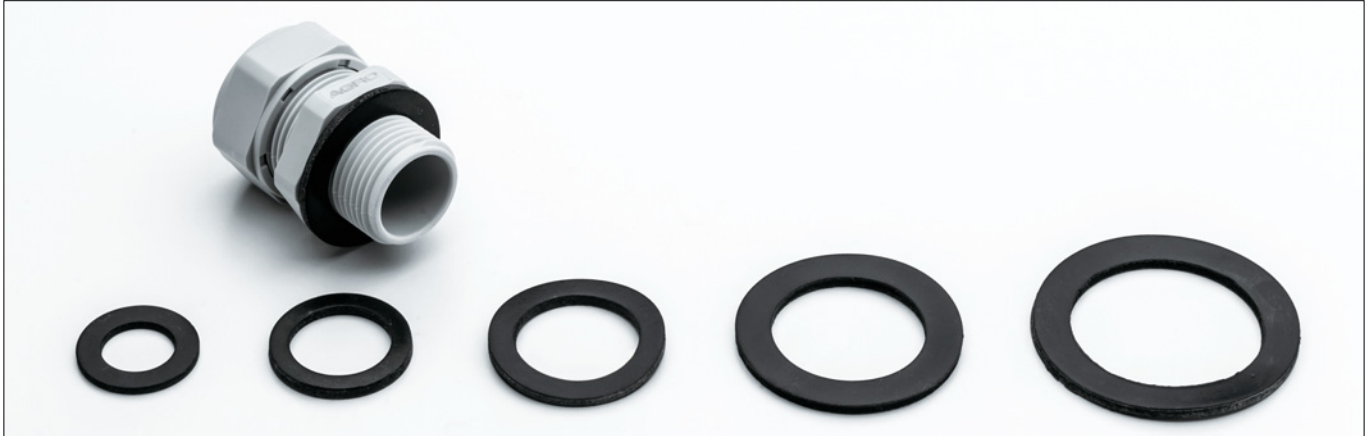


# AGP SERIES

## AG · AGSP Optional parts

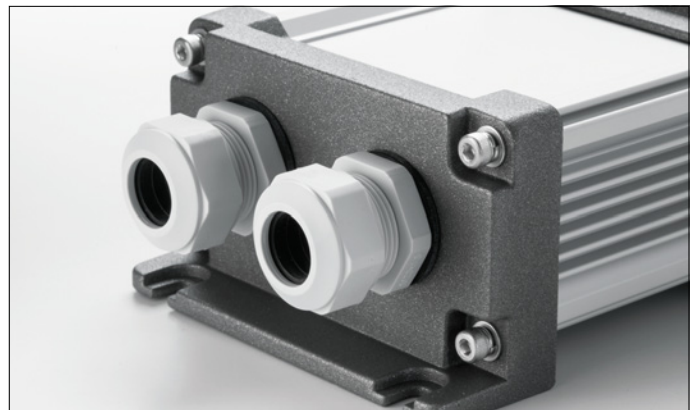
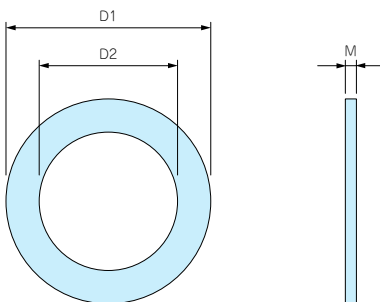
### AGP SEALING WASHER



#### FEATURE

- For AG and AGSP series.
- Use in case of installation on a rough surface.
- Selectable 7 sizes (from M12 to M50).
- This sealing washer is not necessary for installing on a flat surface.

#### Dimensions



#### Part no. / Dimensions

Part no.	D1	D2	M	Material	Suitable cable gland	Sales unit
AGP-12	20	12	1.6	NBR	AG12-X□ / AGSP12-6.5□	10
AGP-16	23.5	16.5	2.0	NBR	AG16-X□ / AGSP16-8□	10
AGP-20	29	20	2.0	NBR	AG20-X□ / AGSP20-12□	10
AGP-25	37	25	2.0	NBR	AG25-X□	10
AGP-32	44	32	2.2	NBR	AG32-X□	5
AGP-40	52	40	2.2	NBR	AG40-X□	5
AGP-50	64	50	3.1	NBR	AG50-X□	5