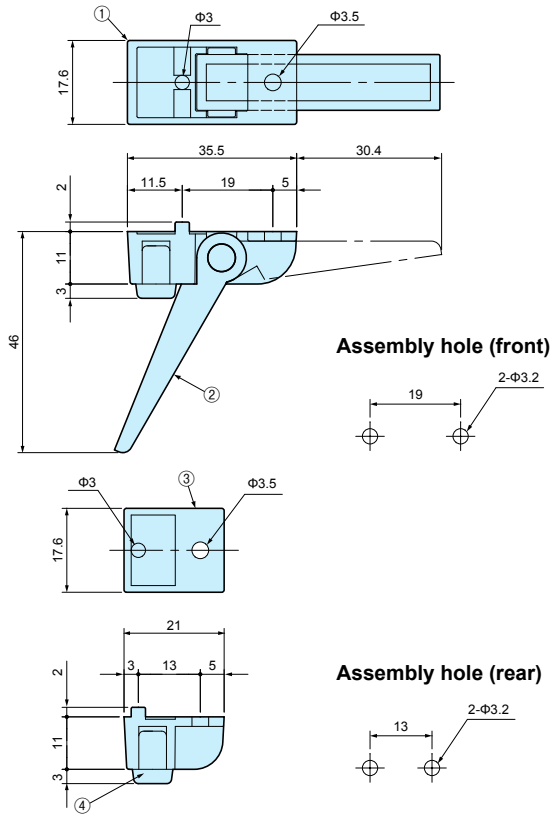


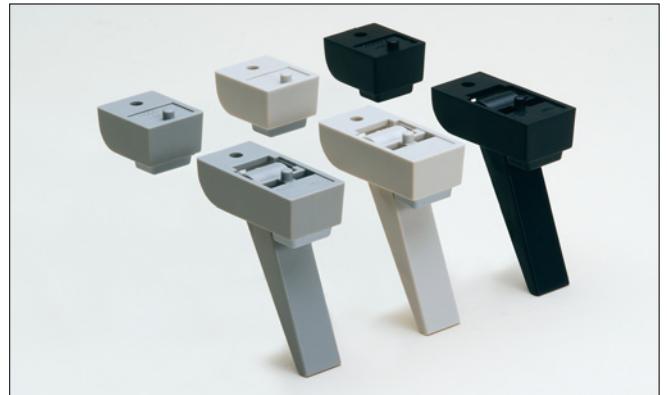
TL SERIES

MS·MSY Optional parts

TL-45 TILT LEG



- Maximum load is 7kg.
- The color of black rubber feet may run.



Components

1pack = Following Parts

Part no.	Part name	Pcs	Material	Color / Finish
1	Front feet	2	ABS	Black · Gray · Light gray
2	Leg	2	ABS	Black · Gray · Light gray
3	Rear feet	2	ABS	Black · Gray · Light gray
4	Rubber feet	4	EPDM	Gray · Black
-	Screw M3×8	4	Steel	Black trivalent chromate
-	Nut	4	Steel	Trivalent chromate

Part no. / Dimensions

Part no.	Color	Rubber feet color	Sales unit
TL-45BB	Black	Black	1 set
TL-45GG	Gray	Gray	1 set
TL-45SG	Light gray	Gray	1 set

Installation area of TL-45 to MS Series box.

MS Series box - bottom cover.

