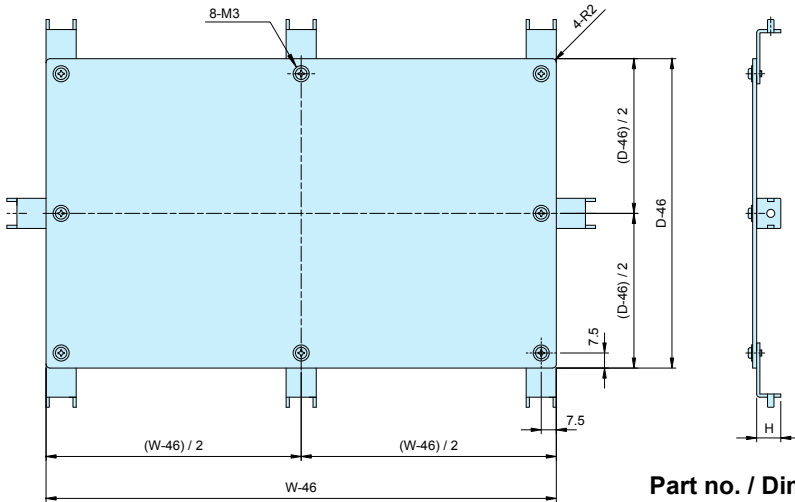


Box size 400 · 500 · 600mm × 400mm

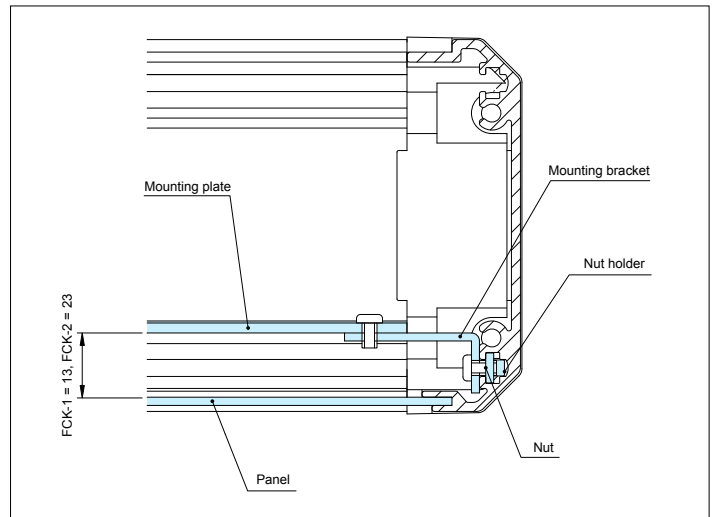
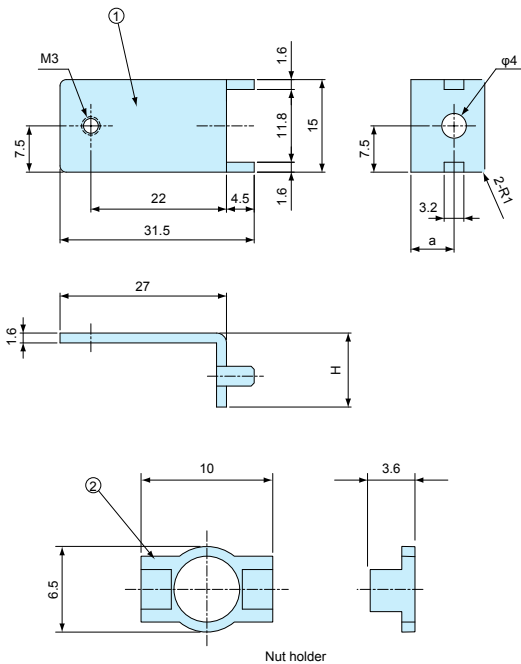


Part no. / Dimensions

• Include M3×6 screw × 16

Part no.	H	Box W×D / D×W	Part no.	H	Box W×D / D×W
FCC40-40-1	12	400×400	FCC40-40-2	22	400×400
FCC50-40-1	12	500×400	FCC50-40-2	22	500×400
FCC60-40-1	12	600×400	FCC60-40-2	22	600×400

FCK Mounting bracket



- Mounting bracket for PCB or Din-rail.
- Mounting blackests as specified come with FCC Mounting plate. FCK is not necessary in case of purchasing FCC.
- Do not fit use for FC4 series.

Components

Sales unit = 1 pack

Ref. #	Part name	Material	1 pack	Color / Finish
1	Mounting bracket	Steel t1.6	10 pcs	Zinc coated
2	Nut holder	POM	10 pcs	Black
3	Nut	Steel t1.6	10 pcs	Trivalent chromate
4	Screw	Steel M3 × 6	20 pcs	Trivalent chromate

Part no. / Dimensions

Part no.	H	a
FCK-1	12	7
FCK-2	22	17

