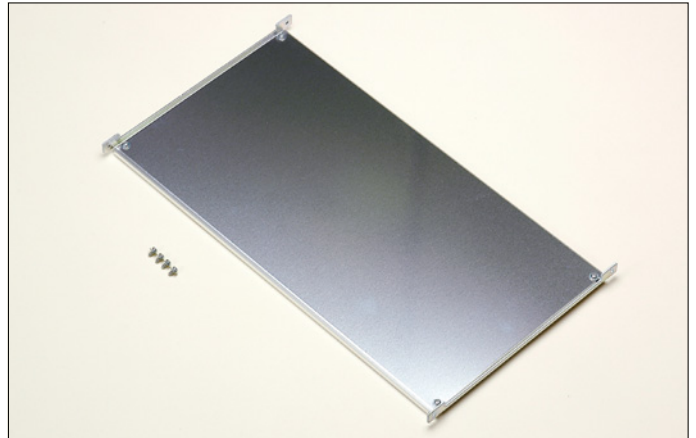
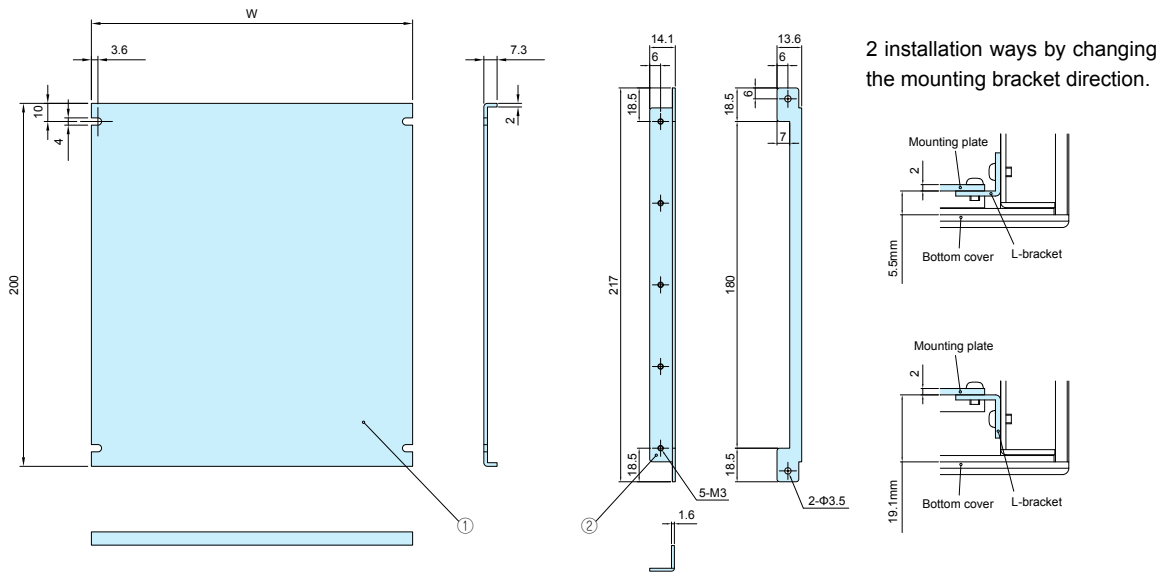


HYC·HYCL SERIES

HYC MOUNTING PLATE FOR HY·HYR



• CAD data is downloadable from our website.



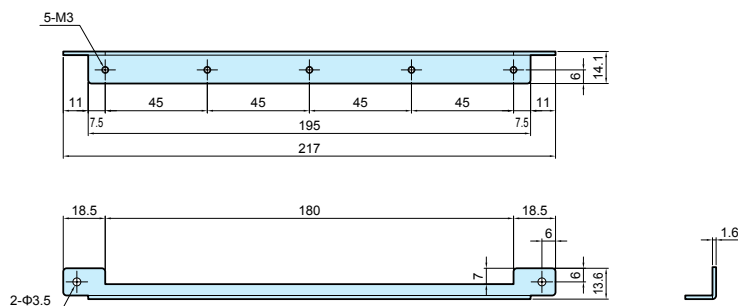
Components

Ref. #	Part name	Pcs	Material	Color / Finish
1	Mounting plate	1	Aluminium t2.0	Unfinished
2	L-bracket	2	Steel t1.6	Trivalent chromate
-	Screw	1 set	Steel M3	Trivalent chromate

Part no. / Dimensions

Part no.	W	Case size	Weight(g)
HYC23-23	177	230×230	300
HYC23-28	227	230×280	350
HYC23-33	277	230×330	410
HYC23-43	377	230×430	520

HYCL L-MOUNTING BRACKET



Components

Part name	Material	Color / Finish
L-bracket	Steel t1.6	Trivalent chromate
Screw	Steel M3	Trivalent chromate

Part no. / Dimension

1pack = 2pcs

Part no.	L	Sales unit
HYCL-23	217	2