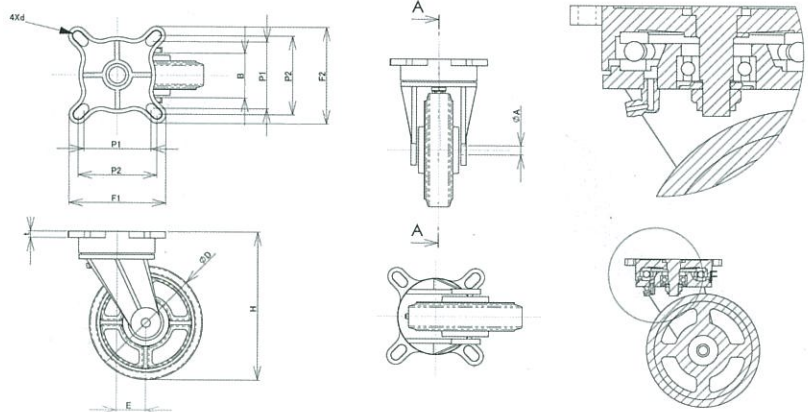


## Caster for Automatic Traction



### Product Details

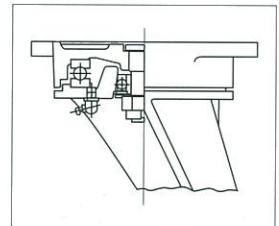
#### SR Series (Free Metal Fittings for automatic traction)

- (1) A thrust bearing is used for the revolving superstructure.
- (2) A ball bearing is used for the central axis of the base.
- (3) Longer lifespan as a result of improvements in parts.
- (4) Can be used in refrigerators. (Differ according to wheel)
- (5) SR series can be used in automated guided vehicle. (AGV)

### Turning Torque test data

D	Turning Torque (N)		Test Load (N)
	PBR (for standard)	SR (for towing)	
100	186	146	1000
150	318	212	1800
200	329	228	2200
250	554	422	3000

\*above figures are reference data



## SR

Wheel diameter	Type	Material	Load capacity	Total Height	Bolt hole spacing	Hub length	Offset	Plate dimension	Bolt hole diameter	Axle bore diameter
100	100SR A	Rubber (non-bearing)	100 kg	140	71×71 90×90	112×112	35	45	10	12
	100SR WSB	Rubber (with bearing)	100 kg							
	100SR FA	Metal (non-bearing)	190 kg							
	100SR FB	Metal (with bearing)	190 kg							
	100SR ULB	Urethane (with bearing)	210 kg							
	100SR MCB	MC nylon (with bearing)	300 kg							
150	150SR A	Rubber (non-bearing)	200 kg	195	90×90 105×105	129×129	45	57	12	20
	150SR WSB	Rubber (with bearing)	200 kg							
	150SR FA	Metal (non-bearing)	350 kg							
	150SR FB	Metal (with bearing)	350 kg							
	150SR ULB	Urethane (with bearing)	370 kg							
	150SR MCB	MC nylon (with bearing)	650 kg							
200	200SR A	Rubber (non-bearing)	250 kg	250	112×112 120×120	146×146	55	60	12	20
	200SR WSB	Rubber (with bearing)	250 kg							
	200SR FA	Metal (non-bearing)	490 kg							
	200SR FB	Metal (with bearing)	490 kg							
	200SR ULB	Urethane (with bearing)	530 kg							
	200SR MCB	MC nylon (with bearing)	870 kg							
250	250SR A	Rubber (non-bearing)	330 kg	300	134×134 144×144	176×176	65	66	15	25
	250SR WSB	Rubber (with bearing)	330 kg							
	250SR FA	Metal (non-bearing)	650 kg							
	250SR FB	Metal (with bearing)	650 kg							
	250SR ULB	Urethane (with bearing)	675 kg							
	250SR MCB	MC nylon (with bearing)	1000 kg							

※The pulling speed varies by wheel.

※The fixed brackets custom designed.