

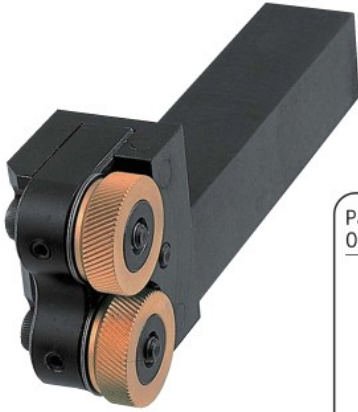
# KH-E

## ROLL KNURLING HOLDER (E-Type) (Cross Cut / Plain Cut)

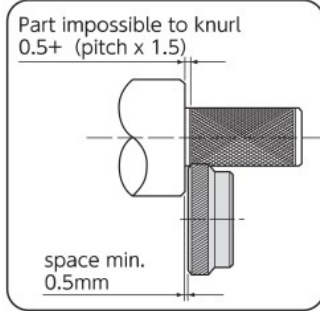
### ▶ Feature

- The roll knurling holder enables the knurling of stepped work up to the edge.

#### Cross cut for edge knurling



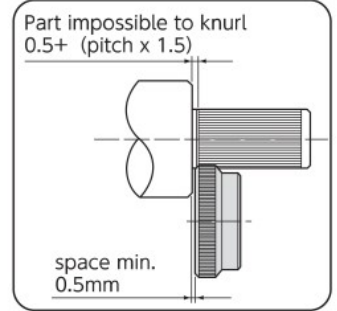
\* Knurling wheels are sold separately.



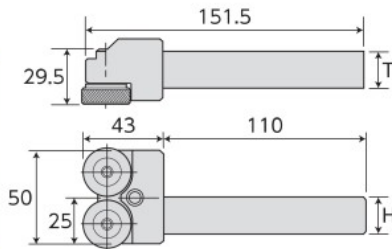
#### Plain cut for edge knurling



\* Knurling wheel is sold separately.

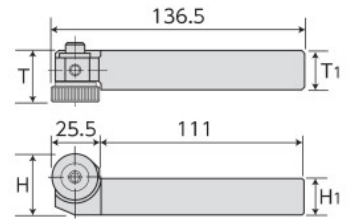


### ▶ Accessories



Item No.	Size (mm)			Applicable knurling wheel	N.W. (g)
	H	T	Knurling range		
<b>KH2E20</b>	20	20	$\phi 10 \sim \phi 250$	KNE15RL~06RL	720
<b>KH2E25</b>	25	25			910

### ▶ Accessories



Item No.	Size (mm)				Applicable knurling wheel	N.W. (g)
	H	H1	T	T1		
<b>KH1E20</b>	32.5	20	27.5	20	$\phi 10 \sim \phi 250$	430
<b>KH1E25</b>	37.5	25	30	25		630

# KNE-RL • KNE-F

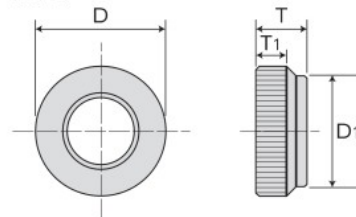
## ROLL KNURLING WHEEL (E-Type)

### ▶ Feature

- The TiN (titanium nitride) coating treatment extends the life of the wheel.

#### Wheel for edge knurling

- Material : SKH51



Item No.		Knurls	Number of knurl per inch	Pitch (mm)	Module	Size (mm)			
Cross cut (a pair)	Plain cut					D	D1	T	T1
<b>KNE15RL</b>	<b>KNE15F</b>	Coarse	17	1.5	0.48	25.4	22	10	6
<b>KNE12RL</b>	<b>KNE12F</b>								
<b>KNE10RL</b>	<b>KNE10F</b>								
<b>KNE08RL</b>	<b>KNE08F</b>	Medium	26	1	0.32				
<b>KNE06RL</b>	<b>KNE06F</b>								
		Fine	42	0.8	0.26				
				0.6	0.19				