

## RATCHEPACT

**Bolt Capacity 10mm**

[FLAT HEAD]

- Low profile flat head. ● No deforming, no splashing of oil. ● Switchable rotations at hand, even in small spaces. ● Low backlash. ● Double speed for shorter working time. ● Urethane covered cushion grip. ● 360 degree rotating rear exhaust.

### SP-7265RP

3/8" Ball-Lock



**Bolt Capacity 10mm**

- High power. ● Low backlash. ● Double speed for shorter working time. ● Switchable dial for easy operation with gloves. ● Urethane covered cushion grip. ● 360 degree rotating rear exhaust.

### SP-7730

3/8" Ball-Lock



**Bolt Capacity 10mm**

- High power. ● Low backlash. ● Double speed for shorter working time. ● Switchable dial for easy operation with gloves. ● Urethane covered cushion grip. ● 360 degree rotating rear exhaust.

### SP-7731

1/2" Ball-Lock



**Bolt Capacity 10mm**

- Low backlash for safe working in tight spaces. ● Double speed for shorter working time. ● Compact body to fit in your hand. ● Built-in power regulator.

### SP-1765

3/8" Ball-Lock



## RATCHEPACT HYBRID

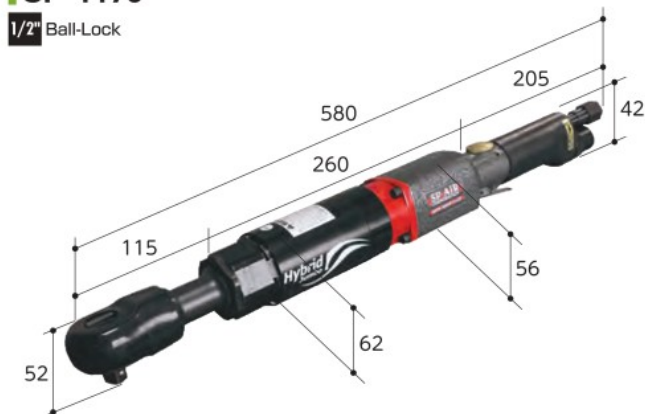
**Bolt Capacity 14mm**

[HYBRID]

- High power for final tightening. ● Low backlash. ● Long reach for use in deep and narrow spaces.

### SP-1170

1/2" Ball-Lock



### For tractor jaw replacement!

- No need for retightening, 350N·m (max.)
- Built-in pin type clutch hammer for high power.
- Long reach makes it easy to remove bolts from deep places.



EDP	Model No.	Sq. Drive (inch)	Hammer	Torque Range (N·m)	Free Speed (min <sup>-1</sup> )	Overall Length (mm)	Air Consumption (ml/min)	Hose Coupling	Net Weight (kg)	JAN (4545695)
370052	SP-7265RP	3/8"	Single Dog clutch	35	400	192	0.4	1/4"NPT	0.7	003470
370051	SP-7730	3/8"	Single Dog clutch	13~90	450	295	0.74	1/4"NPT	1.4	002169
370049	SP-7731	1/2"	Single Dog clutch	13~90	450	295	0.74	1/4"NPT	1.4	002176
370189	SP-1765	3/8"	Single Dog clutch	10~41	500	176	0.4	1/4"NPT	0.6	002015
370057	SP-1170	1/2"	Pin clutch	50~300	210	580	0.72	1/4"NPT	4.15	001414

Air pressure: 0.62 MPa Air hose inner dia.: 9.5 mm Rear exhaust Air connector included