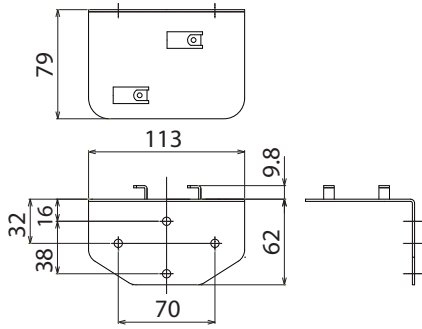


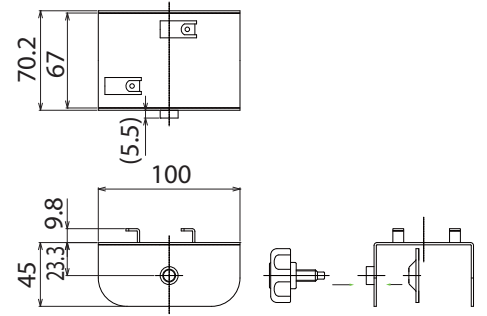
NHL Options



Wall Mount Bracket NH-WST



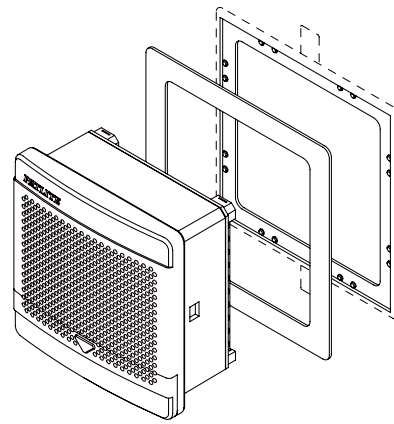
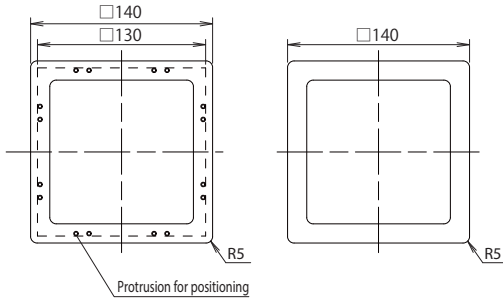
Partition Bracket NH-PST



BKV Options

BK-001 Size Adjustment Bracket

This bracket is used to install the annunciator in a place where holes have already been drilled for legacy PATLITE Products ($\phi 133\text{mm}^2$ Type)

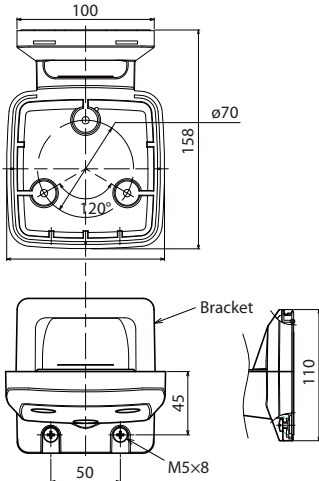


RFT/RFV Options

Wall Mount Bracket



RF-001 Wall Mount Bracket

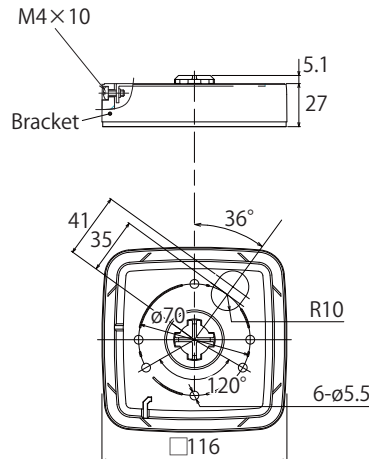


(Unit: mm)

Ceiling Mount Bracket



RF-002 Ceiling Mount Bracket



(Unit: mm)

