

Wall Mount Bracket

Optional Parts

SZ-018

Ivory White



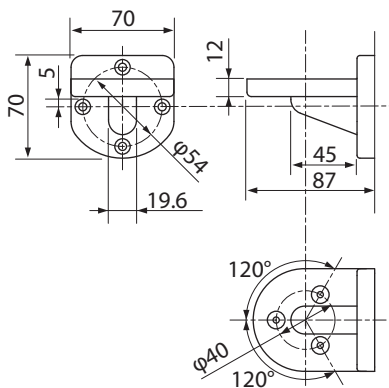
SZ-018U

Silver

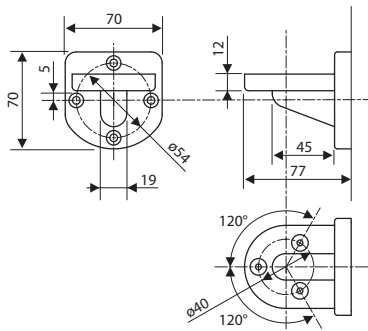


SZ-018K

Black

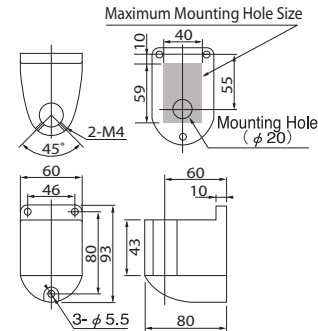


SZ-028

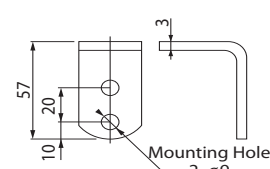
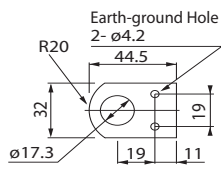


SZ-017

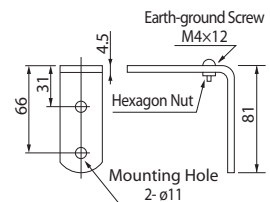
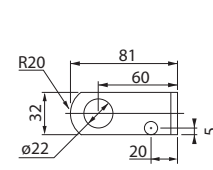
(For $\phi 21.7\text{mm}$ Pole)



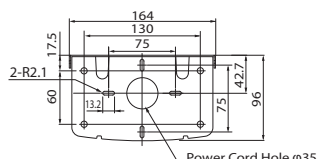
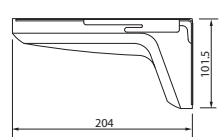
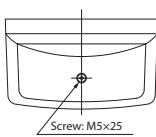
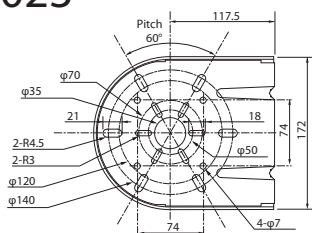
SZ-012 (Pole not included)



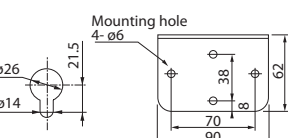
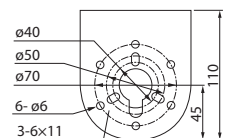
SZ-013 (Pole not included)



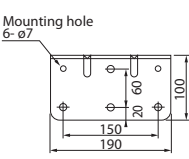
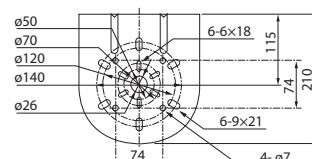
SZ-023



SZ-007



SZ-008



Model	Material	Compatible Models
SZ-017	Aluminum Alloy Die-cast	LME, RUP
SZ-018	PBT/ABS Resin	LU7, LME, LHE
SZ-028		
SZ-020	ABS Resin	LU5, LU7, LME, LMS, RUP, LC, LCS, LE, LES-A
SZ-021		
SZ-007	Electro-galvanized Steel	LU7, LHE-A, Pitch for $\phi 50$, $\phi 70$, $\phi 120$, $\phi 140$ and 74mm^2
SZ-008		
SZ-023	Bracket: Steel Bracket Cover: ABS	Pitch for $\phi 50$, $\phi 70$, $\phi 120$, $\phi 140$, and 74mm^2
SZ-012	Hot-rolled Mild Steel	LCE, LCS, LE, LES, LME, ME, MP
SZ-013		