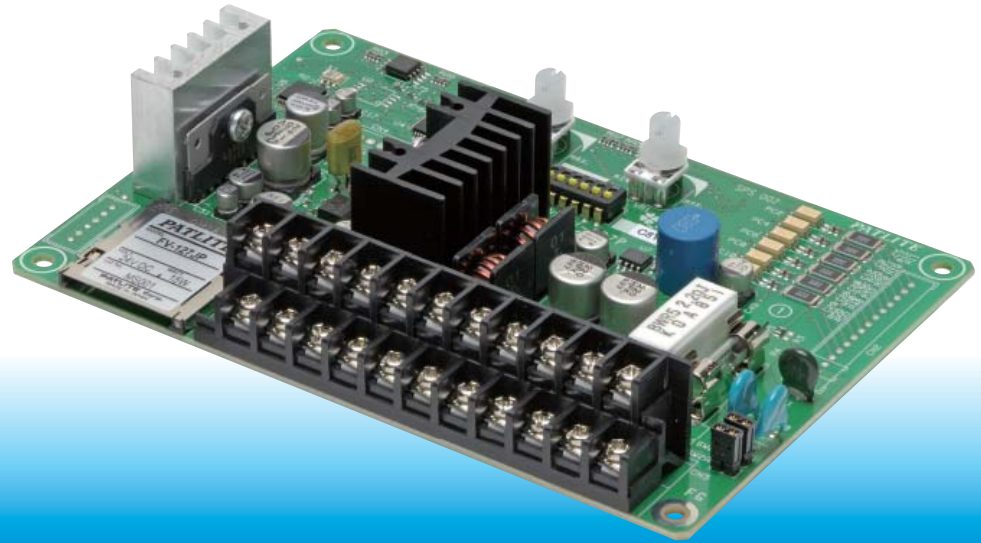


FV-127JP



MP3 File Playback Circuit Board



127 Channels (Binary)

8 Minutes

24VDC

**NPN/PNP
Open-collector**

Audio messages can be registered up to 127 channels, ideal for various equipment or facility purpose where the audio message assistance is required.

FEATURES

- High quality sound and long playback time.
- MP3 compressed audio file format enables long playback time and high quality sound.
- Approximately eight minutes worth of audio messages can be stored in the onboard memory.
- Capable of 240 minutes of message playback when using an SD card as external memory. (MP3 data at standard 64kbit/s rate and 128Mb SD Card)
- Audio messages can be overwritten and reprogrammed with the Playlist Editor 2 (free download) and optional SD Card.
- Data stored in the onboard memory can be extracted to the SD Card.
- 3 sound reduction levels of -10dB, -20dB and -30dB (at 1m) can be controlled by an external signal.
- Five different playback modes are available

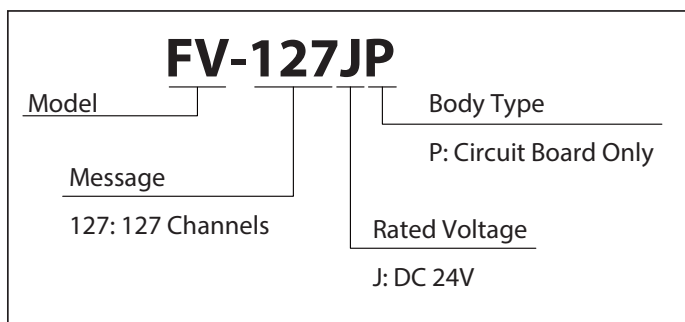
NOISE REDUCTION FEATURES

- Input delay can be selected (10ms or 50ms) to reduce noise
- Extending the delay to input a signal reduces noise
- Another noise countermeasure can include setting jumper pins

OTHER FEATURES

- Terminal block to provide safe and secure wire connections.
- Selectable speaker output (2W or 4W), AUX and BUSY Output terminals.
- Operating voltage range is from 19V to 29V DC (Rated Voltage: 24V DC)
- This product is compliant with the RoHS directive (DIRECTIVE 2002/95/EC)

How to Order



Options

PATLITE Playlist Editor 2 (Free Download)

(OS: Windows® 2000/XP/Vista/Windows 7/Windows 8)

- > The new PATLITE Playlist Editor 2 is required to change the audio message data for this product.
- > The SD Card does not contain any data.

**SD Card (2 GB)
SDV-2GP**

