

Audible Alarm

# BD-A

- 80 mm
- CE (DC Type)
- RoHS 10
- UL (DC Type)
- FCC
- IP54
- Indoor/Outdoor Use
- Upright/Sideways/Inverted Mounting
- Ambient Temperature -20°C~+55°C
- 90dB
- 32 Alarm Sounds
- 4 Inputs



-J (Light gray)

-K (Dark gray)

## Model Number Configuration

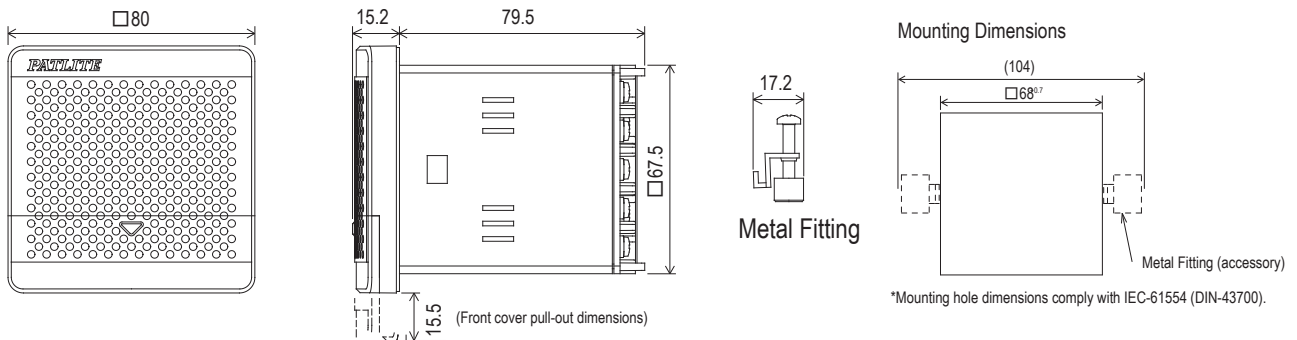
# BD-24AA-J

- ①
- ②
- ③

① Rated Voltage 24 = 12 - 24V DC 100 = 100/220V AC	② Alarm Type* A = Type A C = Type C D = Type D E = Type E	③ Body Color - Front J = Light Gray K = Dark Gray
--	---	---

\* Please refer to the Sound Selection Chart on page 84 for alarm details.

## Dimensions (mm)



## Product List

Model Number	Rated Voltage	Alarm Type	Body Color - Front	Power Consumption	Mass
BD-24A □ -J/K	12 - 24V DC	A/C/D/E	Light Gray, Dark Gray	4.0W	0.16kg
BD-100A □ -J/K	100/220V AC	A/C/D/E	Light Gray, Dark Gray	5.0W	0.18kg

## Other Specifications

Supported Transistors	NPN
Volume Control	Rotating knob

## Optional Parts

For details refer to P. 93 to P. 98

Product Description	Model Number
SD card (2GB)	SDV-2GP