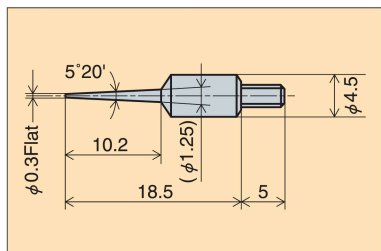


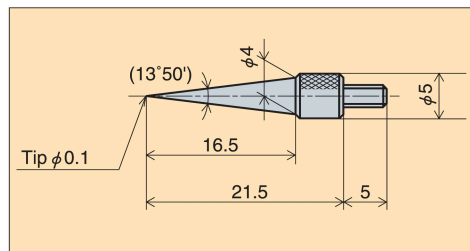
# Replaceable Contact Point (Screw pitch M2.5 × 0.45mm)

## for Dial Indicators and Linear Gauges

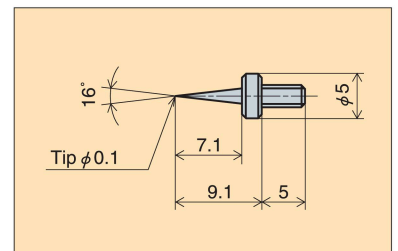
### ● Needle Contact Point



| Part No. | Material |
|----------|----------|
| XT-2C    | SK 3     |



| Part No. | Material |
|----------|----------|
| XT-3     | SK 3     |

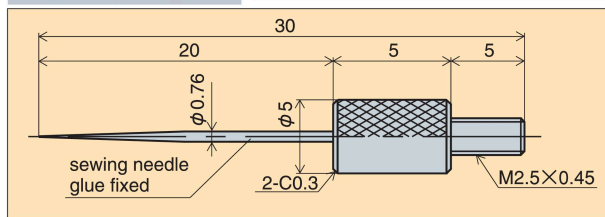


| Part No. | Material |
|----------|----------|
| XT-4     | SK 3     |

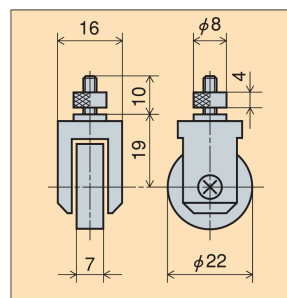
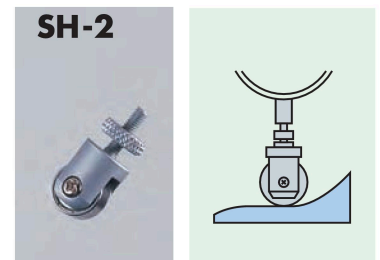
### ● Needle Contact Point



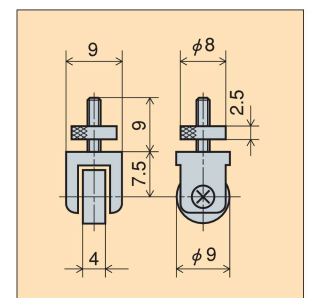
| Part No. | Material      |
|----------|---------------|
| XT-5     | sewing needle |



### ● Roller Contact Point



| Part No. | Material |
|----------|----------|
| SH-1     | SUJ2     |

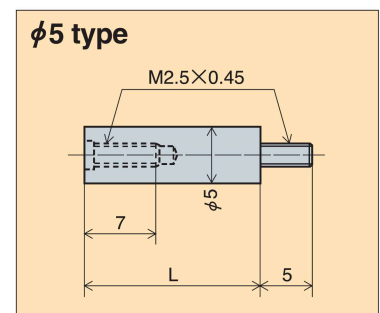
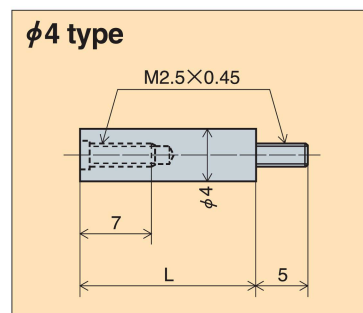


| Part No. | Material |
|----------|----------|
| SH-2     | SUJ2     |

### ● Contact Point Joint

To extend the contact point, simply add the contact point joint.

| L (mm) | φ 4 type | φ 5 type |
|--------|----------|----------|
| 6      | XJ-406   |          |
| 10     | XJ-410   | XJ-510   |
| 15     | XJ-415   |          |
| 20     | XJ-420   | XJ-520   |
| 25     | XJ-425   |          |
| 30     | XJ-430   | XJ-530   |
| 35     | XJ-435   |          |
| 40     | XJ-440   | XJ-540   |
| 45     | XJ-445   |          |
| 50     | XJ-450   | XJ-550   |
| 55     | XJ-455   |          |
| 60     | XJ-460   | XJ-560   |
| 65     | XJ-465   |          |
| 70     | XJ-470   |          |
| 75     | XJ-475   |          |
| 80     | XJ-480   |          |
| 90     | XJ-490   |          |
| 100    | XJ-400   |          |



Length of the thread screw of XJ-406 is 5mm.