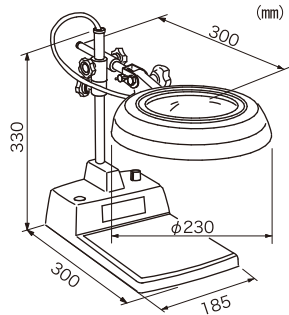


LED illuminated magnifier with dimmer

# ENVL Series

ENVL series is the LED illuminated magnifier as succession series of dimmable ENV Series that was equipped with electronic ballast. ENVL is competitively priced and suitable alternative to the ENV Series., and the electric power consumption is reduced to about 55%. The cost for 40,000 hours of operation is reduced to 1/3, and it is an Eco-friendly product suitable for growing calls of power shortage.

## ENVL-A

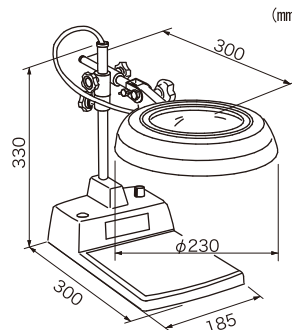


### Interchangeable Lens

2X (φ130)	3X (φ130)	4X (φ130)	6X (φ105)
8X (φ90)	10X (φ90)	12X (φ90)	15X (φ90)

- With table stand and microscope
- Weight: 2.5kg (Excluding lens)
- Input voltage range:  
AC100 ~ 240V※  
50/60 Hz (※125 ~ 240V is applicable by replacing the input plug. A kind of input plug consult your distributor.)
- Power consumption: 11W
- Magnification of microscope:  
20X/40X/60X/100X
- light with dimmer(100~50%)
- Standby power: 0w

## ENVL-B

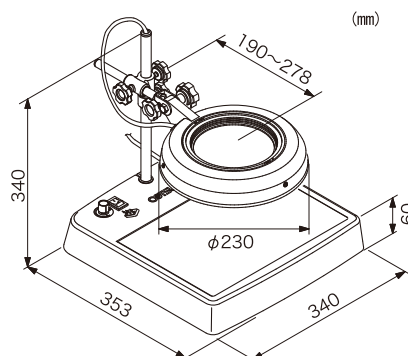


### Interchangeable Lens

2X (φ130)	3X (φ130)	4X (φ130)	6X (φ105)
8X (φ90)	10X (φ90)	12X (φ90)	15X (φ90)

- With table stand
- Weight: 2.2kg (Excluding lens)
- Input voltage range:  
AC100 ~ 240V※  
50/60 Hz (※125 ~ 240V is applicable by replacing the input plug. A kind of input plug consult your distributor.)
- Power consumption: 11W
- light with dimmer(100~50%)
- Standby power: 0w

## ENVL-CL



### Interchangeable Lens

2X (φ130)	3X (φ130)	4X (φ130)	6X (φ105)
8X (φ90)	10X (φ90)	12X (φ90)	15X (φ90)

- Light box with transmission illumination
- Weight: 3.2kg (Excluding lens)
- Input voltage range:  
AC100 ~ 240V※  
50/60 Hz (※125 ~ 240V is applicable by replacing the input plug. A kind of input plug consult your distributor.)
- Power consumption: 11W+9W
- light with dimmer(100~50%)
- Standby power: 0w