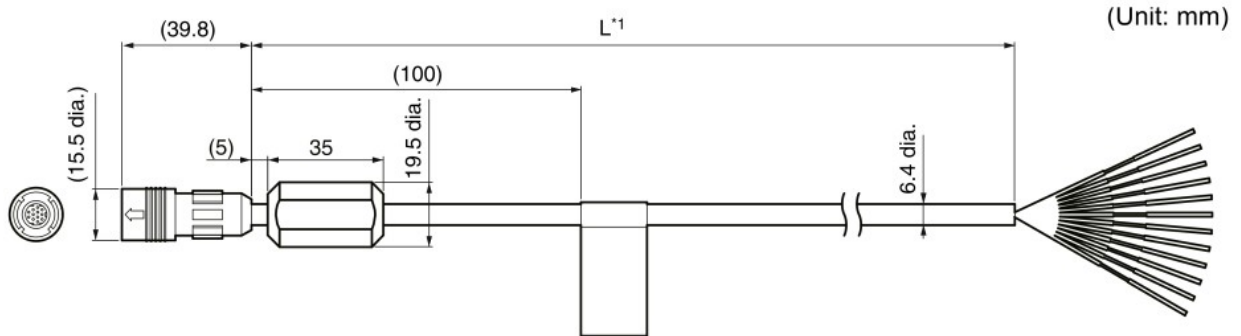


Dimensions

I/O Cables

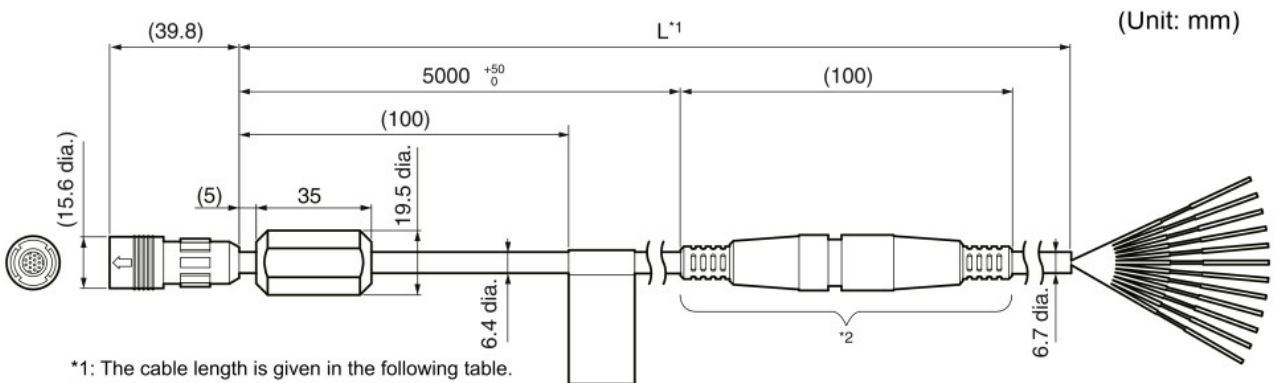
FQ-WD002/WD005



*1: The cable length is given in the following table.

Model	Cable length
FQ-WD002	2 m
FQ-WD005	5 m

FQ-WD010/WD020



*1: The cable length is given in the following table.

Model	Cable length
FQ-WD010	10 m
FQ-WD020	20 m

*2: The relay connector does not have water-proofing.