





Ordering Information

List of Models

Display contents	Display color	Type	Model		
			Model with Zero Suppression (See note 1.)	Model with Blanking (See note 2.)	
	Red	Positive	---	M7E-01BRP2	
		Negative	---	M7E-01BRN2	
		Dynamic output	---	M7E-01BRD2	
	Green	Positive	---	M7E-01BGP2	
		Negative	---	M7E-01BGN2	
	Red	Positive	M7E-01DRP2	M7E-01DRP2-B	
		Negative	M7E-01DRN2	M7E-01DRN2-B	
		Dynamic output	M7E-01DRD2	M7E-01DRD2-B	
	Green	Positive	M7E-01DGP2	M7E-01DGP2-B	
		Negative	M7E-01DGN2	M7E-01DGN2-B	
		Dynamic output	M7E-01DGD2	M7E-01DGD2-B	
	Red/green (two colors)	Negative	M7E-01DRGN2	M7E-01DRGN2-B	
		Red	Positive	M7E-01HRP2	M7E-01HRP2-B
			Negative	M7E-01HRN2	M7E-01HRN2-B
Green		Positive	M7E-01HGP2	M7E-01HGP2-B	
		Negative	M7E-01HGN2	M7E-01HGN2-B	

Display contents	Display color	Logic	Model
	Red	---	M7E-01UR2-□ (See note 3.)
	Green	---	M7E-01UG2-□ (See note 3.)

Accessories (Order Separately)

End Plate

Case color	Item	Model
Light gray		M7E-012M
Black		M7E-012M-1

Note: The Right and Left Plates form a pair.

Spacer

Case color	Item	Model
Light gray		M7E-012PA
Black		M7E-012PA-1

Connectable PLCs

M7E model	Type	PLC output method		
		Static output		Dynamic output
Display contents		PNP output	NPN output	
±1, decimal	Positive	○	△	△
	Negative	×	○	×
	Dynamic output	×	×	○
Hexa-decimal	Positive	○	△	△
	Negative	×	○	×
Unit	---	○ (only voltage imposed)		

○: Connectable

×: Not connectable

△: Connectable (See note.)

Note: Connectable but an external resistor is required and only 24 VDC must be supplied.

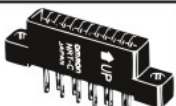


Refer to *External Connections* on page 9 and 10 for details.

Note: 1. Models with zero suppression are blank only when the display is \square and the decimal is OFF by wiring as shown on page 12.

2. Models with blanking enable turning OFF a user-specified display (\square to \square , \square to \square) by inputting a signal to the blank input terminal.

3. The symbol in the box (□) indicates the code for the display contents. Refer to page 13.

Connector

Terminal	Model
Solder terminal 	NRT-C
Solder terminal 	NRT-CN
PCB terminal 	NRT-CP

Mother Board

Type	Number of digits	Model
Static	4	M7E-01MB4-S2
Static	3	M7E-01MB3-S2
Static	2	M7E-01MB2-S2

Note: Refer to *M7E Mother Board for Display Units (Character Height: 14 mm)* for details.