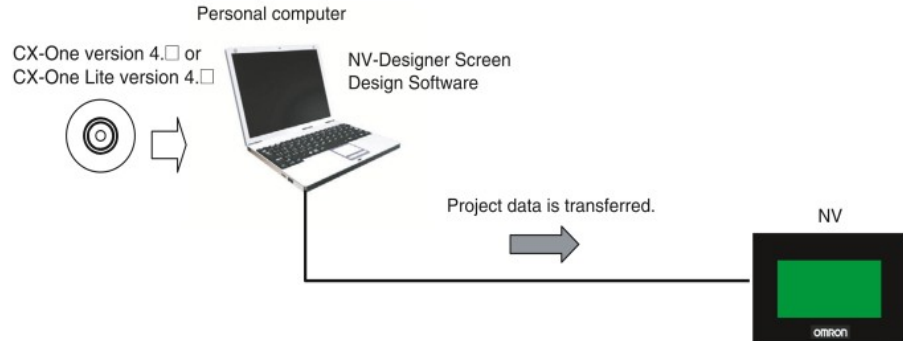


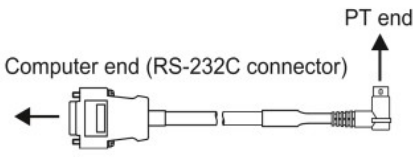
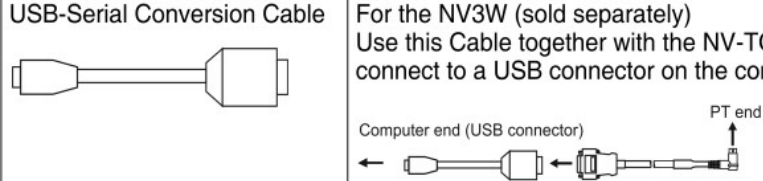
1-3-2 Screen Design Software

The NV-Designer is used as the Screen Design Software for the NV-series PTs.

The NV-Designer is included in CX-One version 4.□ or in CX-One Lite version 4.□.



- The NV3W is connected using an NV-TOL-3M RS-232C Cable with a round DIN pin connector on the NV end. To connect to a USB connector on the computer, connect the NV-TOL-3M cable through a CS1W-CIF31 USB-Serial Conversion Cable.
- You can connect to the NV3W-V1, NV4W or NV3Q using a commercially available USB cable.

Name	Description	Model
CX-One version 4.□	Includes the NV-Designer.	CXONE-AL01D-V4
CX-One Lite version 4.□		CXONE-LT01□-V4
Programming Device Connecting Cable for NV3W 	For the NV3W (sold separately) RS-232C cable with a round DIN pin connector on the NV3W end	NV-TOL-3M
USB-Serial Conversion Cable 	For the NV3W (sold separately) Use this Cable together with the NV-TOL-3M to connect to a USB connector on the computer. Note The enclosed USB driver must be installed.	CS1W-CIF31
Programming Device Connecting Cable for NV3W-V1 or NV4W	For the NV3W-V1 or NV4W (sold separately) (USB: Type mini-B)	Commercially available USB cable
Programming Device Connecting Cable for NV3Q	For the NV3Q (sold separately) (USB: Type B)	Commercially available USB cable