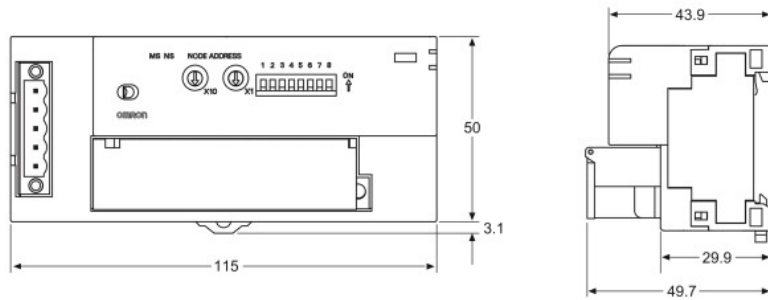


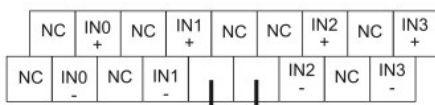
## Dimensions

DRT2-TS04T  
DRT2-TS04P



## Terminal Arrangement

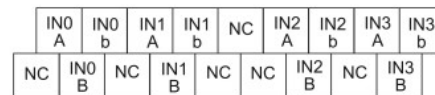
DRT2-TS04T



Cold junction compensator

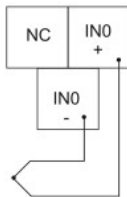
Do not touch or remove the cold junction compensator.  
Otherwise temperature data will not display properly.

DRT2-TS04P



## Wiring Diagrams

DRT2-TS04T (Thermocouple input)



DRT2-TS04P (Platinum resistance thermometer input)

