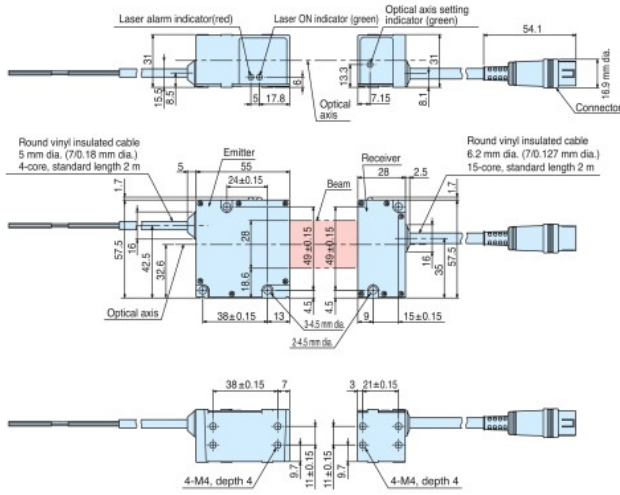


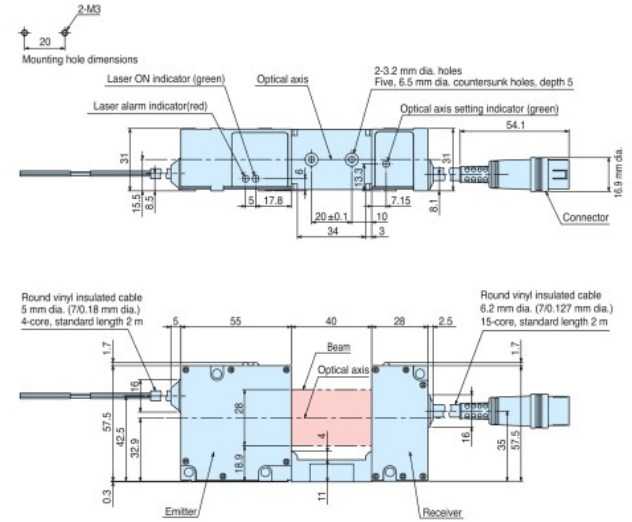
External Dimensions(Unit: mm)

Sensor

Separate type:ZX-GT28S11/-GT28S41

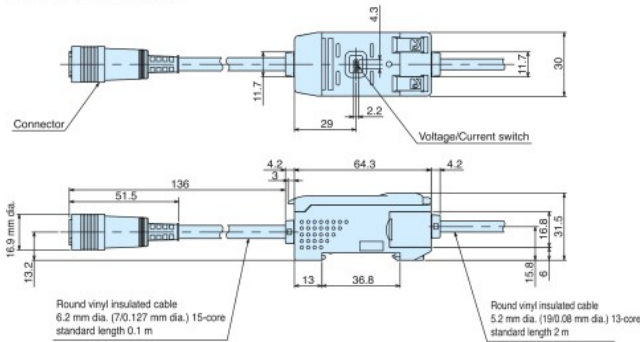


Integrated type:ZX-GT2840S11/-GT2840S41



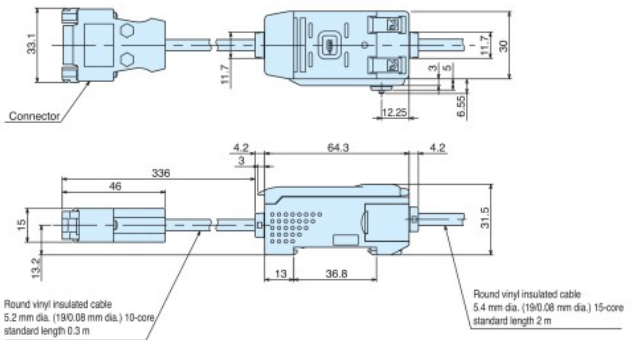
Controller

ZX-GTC11/-GTC41



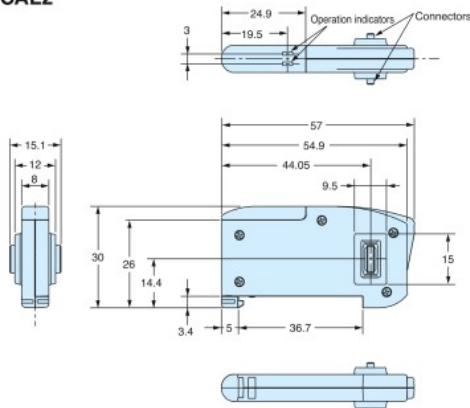
Interface Unit

ZX-GIF11/-GIF41



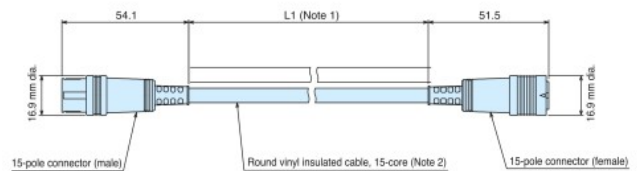
Calculating Unit

ZX-CAL2



Receiver-Controller Extension Cable

ZX-XGC_A/-XGC_R



Note 1: ZX-XGC1A/R : 1M
 ZX-XGC2A/R : 2M
 ZX-XGC5A/R : 5M
 ZX-XGC8A/R : 8M
 ZX-XGC20A/R : 20M

Note 2: Standard cable: 6.2 mm dia.
 Flexible cable: 6.1 mm dia.