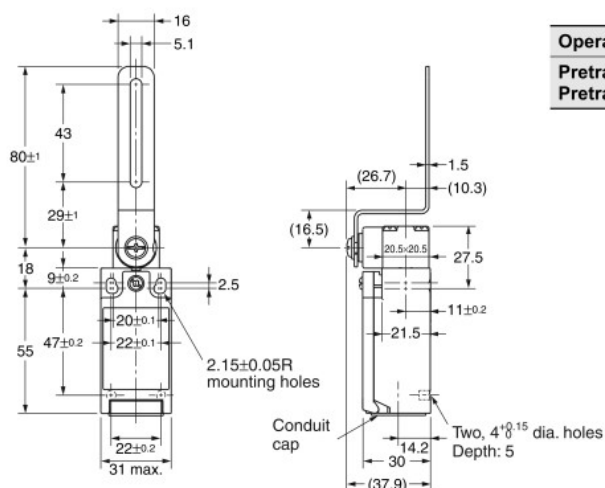
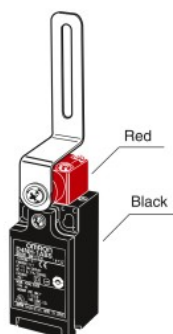


### Arm Lever Type with 1 Conduit

D4NH-1□BC D4NH-2□BC

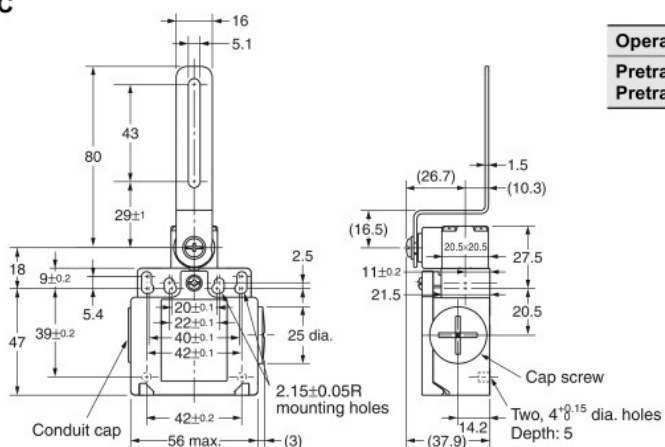
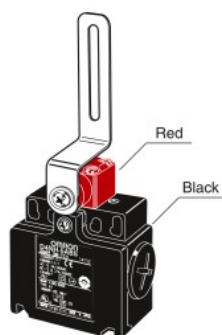
D4NH-4□BC



Operating force	OF max.	0.15 N·m
Pretravel PT 1 (NC)		7° (MBB: 10°)
Pretravel PT 2 (NO)		19° (MBB: 5°)

### Arm Lever Type with 2 Conduits

D4NH-6□BC D4NH-8□BC



Operating force	OF max.	0.15 N·m
Pretravel PT 1 (NC)		7° (MBB: 10°)
Pretravel PT 2 (NO)		19° (MBB: 5°)

**Note: 1.** Unless otherwise specified, a tolerance of  $\pm 0.4$  mm applies to all dimensions.

**2.** Variation occurs in the simultaneity of contact opening/closing operations of 2NC, 2NC/1NO, and 3NC contacts. Check contact operation.