

Protection cover and Attachment Base

Protection cover

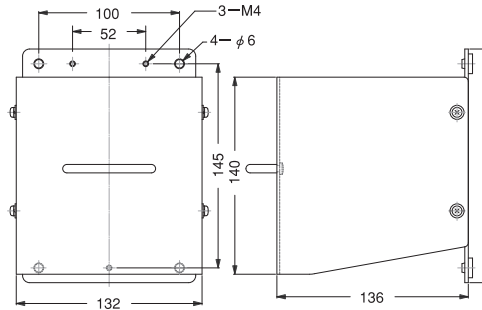
The product is a protection cover designed to provide protection against falling objects and to prevent malfunction caused by impacts.

Type	Dimension	Application type
------	-----------	------------------

Protection Cover

● OFL-CS Type

Material: stainless steel
Weight: 1,310 g



- OFL-□-□-CS Type
- OFL-□-□-M4CS Type
- OFL-□-□-S5CS Type
- OFL-□-□-S6CS Type
- OFL-□-□-M6CS Type
- OFL-□-□-S7CS Type
- OFL-□-□-HCS Type
- OFL-□-□-PCS Type

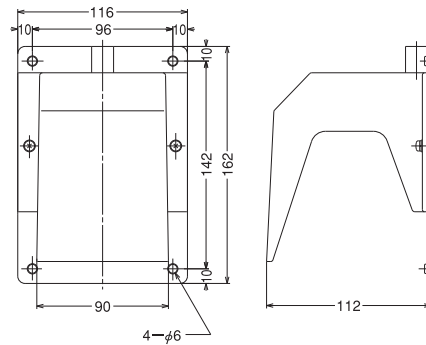
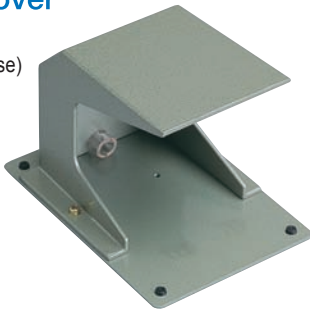
※ Different types call for different mounting screws.
Please indicate the foot switch type being used when placing an order.

Protection Cover

● OFL-C Type

Protection cover (w/ base)

Material: aluminum
Weight: 610 g



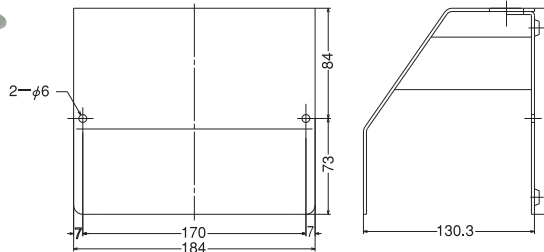
- OFL-□-□-S3C Type
- OFL-□-□-M3C Type
- OFL-□-□-M4C Type
- OFL-□-□-S5C Type
- OFL-□-□-PC Type

Protection Cover

● OFL-TC Type

2-position Cover

Material: steel
Weight 1,500 g



- OFL-TV-S3C Type
- OFL-TVG-S3C Type
- OFL-TVG5-S3C Type
- OFL-TV-M3C Type
- OFL-TV-M4C Type
- OFL-TV-FS2C Type

Attachment base

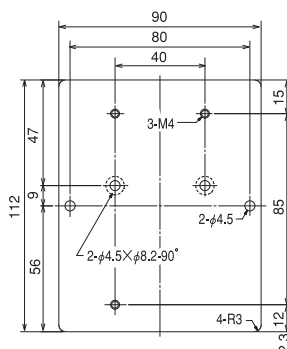
Type	Dimension	Application type
------	-----------	------------------

Base

● OFL-T2 Type

Angular base

Material: steel
Weight: 180 g



- OFL-□-□-S3T2 Type
- OFL-□-□-M3T2 Type
- OFL-□-□-M4T2 Type

※ The photo shows the OFL-1V-M3T2.



※ The photo shows the OFL-1V-M4T2.