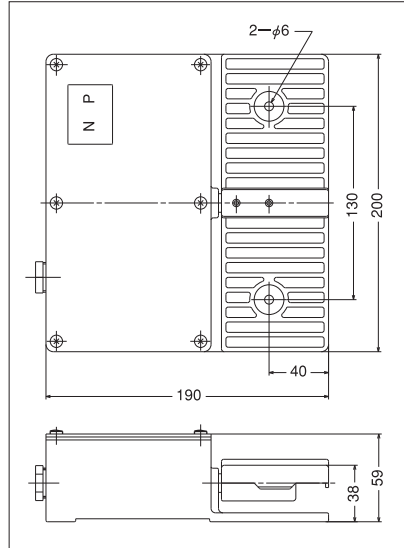


FS Series

FS is seesaw pedal style that there is a fulcrum made in die-cast aluminum in pedal center and can transform action form in the cam of inclusion.

Rainproof seesaw style

● OFL-TW-FS Type (Center fulcrum)



Features

- ①~④ can be acted by inclusion cam transfer.
- Most appropriate for operation such as positive rotation, backspin, uplift, and descent.
- Rainproof, oiltight, drip-proof structure.

⚠ Replacement of the Can and Wiring Considerations

1. Loosen the cam tightening screw (M6) using a Phillips screwdriver to detach the cam. Set the cam in place on the side in question. Tighten the screw to a torque of 118 N to finish the work.
2. Procure the cord separately. (VCT equivalent with a diameter of $\phi 8$ to $\phi 11$)
3. Tighten the cord lead-out in place using the included seal connector (G1/2 screw).
4. Fix the internal wiring in place using a clamp to avoid contact with movable parts.

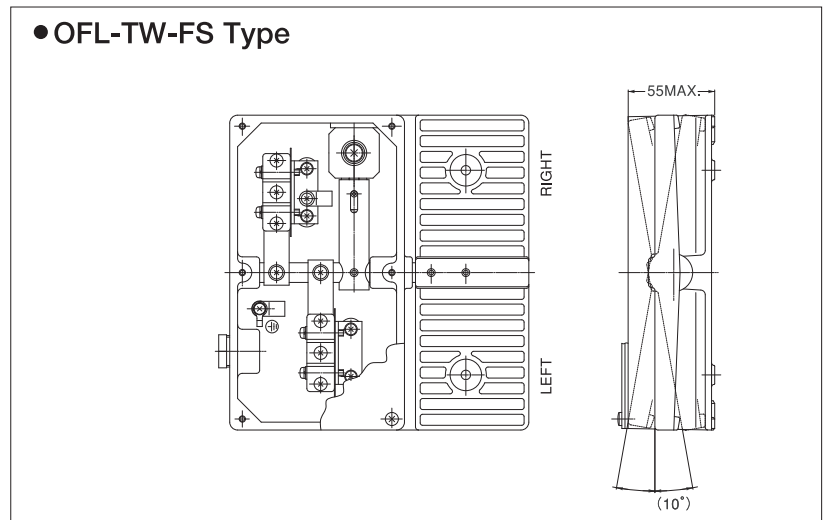
Seesaw style with protector cover

● OFL-TW-FSC Type

● OFL-4V-FSC Type



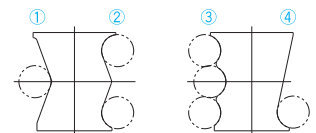
● OFL-TW-FS Type



◆ Cam Numbers and Workings

- ① 3-position free return (standard spec). The pedal is normally level; a step on its right side causes the left switch to go on while a step on its left side causes the right switch to go on.
- ② 2-position retention. A step on either left or right causes the switch to go on, and the resulting position is held (locked).
- ③ 3-position retention. A step on either left or right causes the switch to go on. (The switch may be configured so that the resulting position may be level.)
- ④ 2-position. The pedal normally moves (tilts) down on its right side. (The switch may be configured so that it may also move down on its left side.)

Cam Number and Roller Movement



FS series

Type	Function		Rating	Switch	Contact	VCTF cord	Operating force N	Weight Kg	IP class	
	Momentary	Alternate								
OFL-TW-FS	●	●	6A-250VAC	MICRO Switch Z	1c for each side	Special order (Applicable sheath outside diameter: $\phi 8 \sim \phi 11$)	25 (2.6kgf)	54		
OFL-TW-FSC	●	●								3.3
OFL-TVG-FS	●	●	0.1A-30VDC	V	1c for each side					2.2
OFL-TVG-FSC	●	●								3.3
OFL-4V-FS	●	●	6A-250VAC	V	2c for each side					2.2
OFL-4V-FSC	●	●								3.3