

SM2 S4 Series (TÜV approved)

With pedal lock safety lever

Design Registration-certified Product

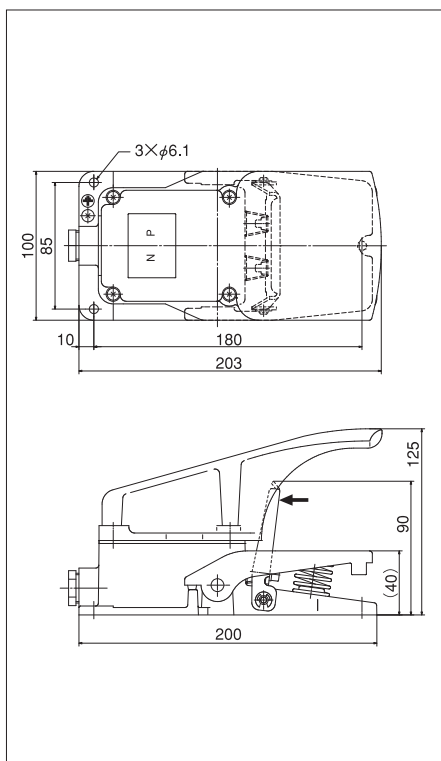


Generating of the trouble by “the thing was dropped”, “the pedal having been stepped on carelessly”, etc.

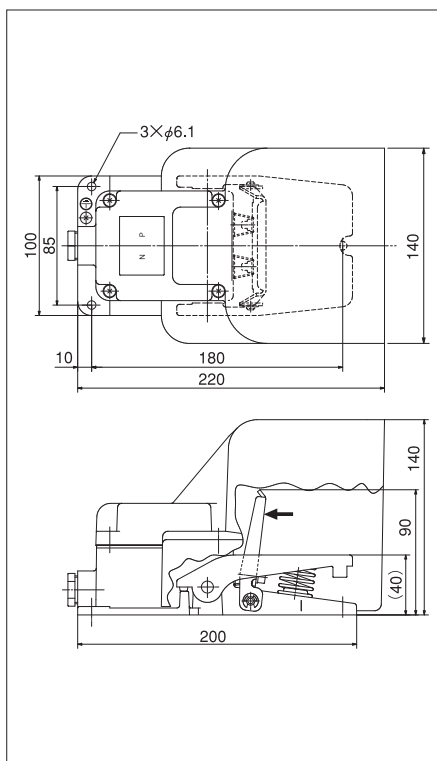
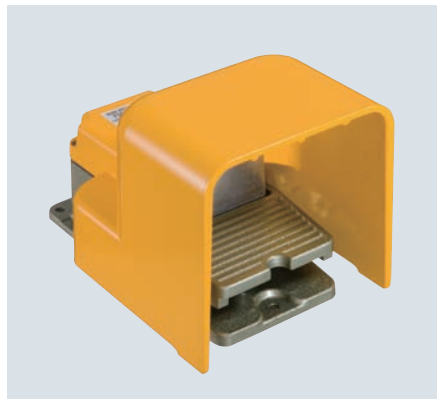
It is the foot switch which attached the object for malfunction prevention of OJIDEN, and the pedal lock safety lever “S4” in SM2 type series.



● OFL--SM2CS4 Type
(With protection cover)



● OFL--SM2KS4 Type
(With shield cover)



● OFL--SM2KSS4 Type
(With safety cover)

