

S3 & M3 Series



S3-M3 series is made in die-cast aluminum and is foot switch for noble high credibility and small apparatus.

Features

- The unique design, a beautiful noble color is perfect to every device.
- Most appropriate to pedal part is low, long in wide timework.
- It can correspond to a usage, which is property of inclusion switch and the combination of a faculty and wide.
- S3 and M3 can select a to step on except fulcrum section because of being the same size, too.
- There is attachment base. (option)

Major Applications

- Medical appliances
- Electronic device
- Public welfare device
- Sewing device
- Education device
- Each electric device,
- Others industry device etc.

Part Numbering

OFL - [] - S3&M3 []

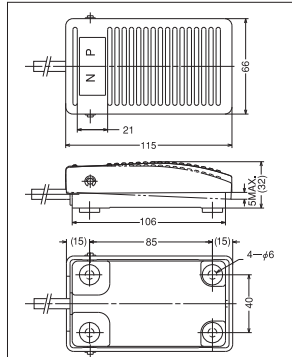
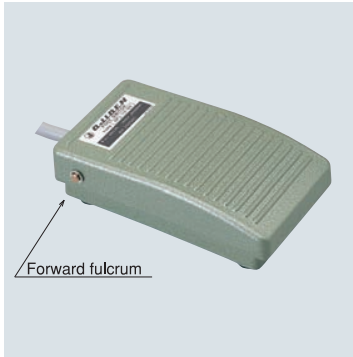
① ② ③ ④

- ① OJIDEN FOOT LIMITSWITCH is shown.
- ② The property of a switch, pole number and the faculty are shown.
- ③ S3 or M3 series is shown.
S3...Forward fulcrum
M3...Backward fulcrum
- ④ With a protective cover (C or CS) is shown.

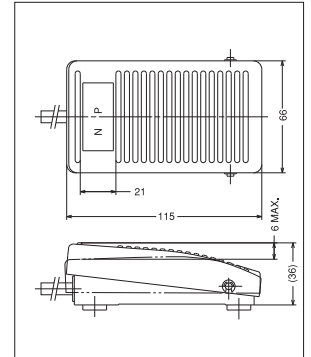
※ ② The characteristic and performance of a built-in switch should consult P.32.

Die-cast aluminum-made mini type

● OFL-[]-S3Type (Forward fulcrum)

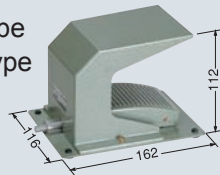


● OFL-[]-M3Type (Backward fulcrum)

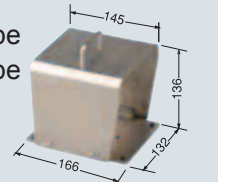


With protection cover
(Option)

- OFL-[]-S3CType
- OFL-[]-M3CType

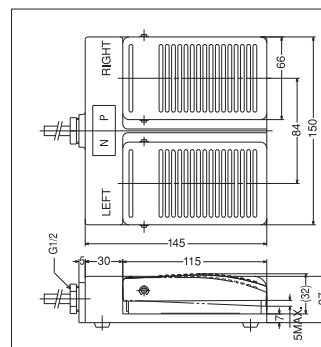


- OFL-[]-S3CSType
- OFL-[]-M3CSType



Twin Type

- OFL-T[]-S3Type (Forward fulcrum)
- OFL-T[]-M3Type (Backward fulcrum)



Twin type with protection cover
(Option)

- OFL-TV-S3C Type
- OFL-TVG-S3C Type
- OFL-TV-M3C Type

