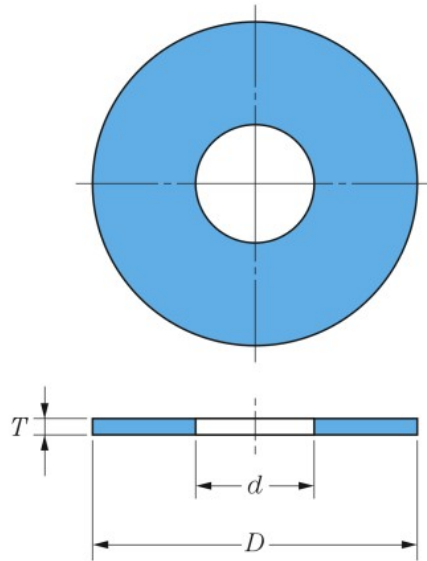


TW type

Thrust washer



Dimension measurement temperature 25°C

Bearing number	Dimension mm		
	d $+0.25$ 0	D 0 -0.25	T ± 0.06
R-TW0613	6.2	12.8	0.8
R-TW0715	7.2	14.8	0.8
R-TW0815	8.2	14.8	0.8
R-TW0920	9.2	19.8	0.8
R-TW1020	10.2	19.8	0.8
R-TW1225	12.2	24.7	0.8
R-TW1530	15.3	29.7	0.8
R-TW1735	17.3	34.6	0.8
R-TW1835	18.3	34.6	0.8
R-TW2040	20.4	39.6	0.8
R-TW2245	22.4	44.5	0.8
R-TW2550	25.4	49.5	0.8
R-TW2855	28.4	54.4	0.8
R-TW3060	30.4	59.4	0.8
R-TW3260	32.4	59.4	0.8
R-TW3565	35.6	64.3	0.8
R-TW4070	40.6	69.3	0.8
R-TW4575	45.6	74.2	0.8
R-TW5080	50.8	79.2	0.8

Remarks 1. Use $1.0 \times 10^{-7} \text{mm}^3/\text{N} \cdot \text{m}$ as a guideline for the specific wear rate K .