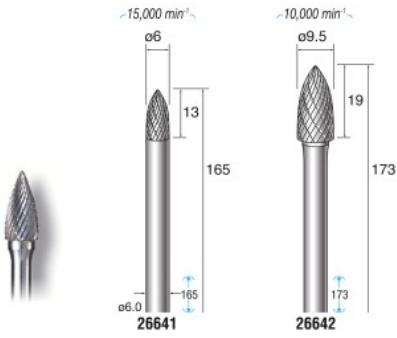


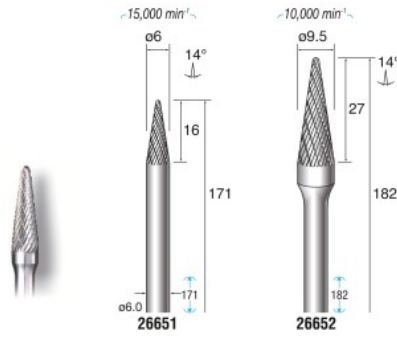
# CARBIDE CUTTERS

SHANK  $\phi 6.0$

1 pc./pack Double Cut

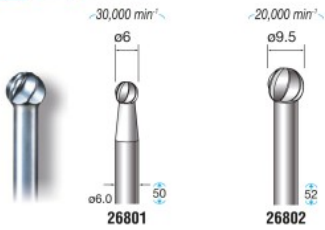


1 pc./pack Double Cut



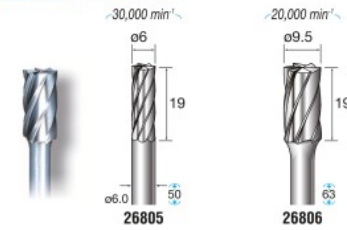
SHANK  $\phi 6.0$

1 pc./pack Single Cut

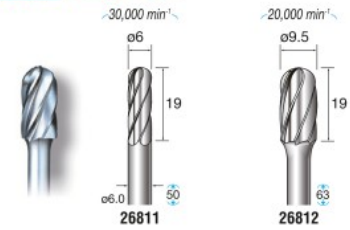


1 pc./pack Single Cut

End Cut

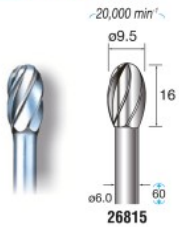


1 pc./pack Single Cut

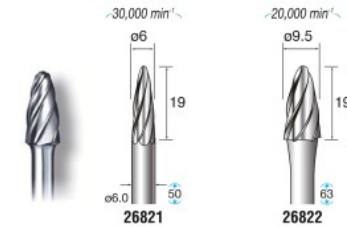


SHANK  $\phi 6.0$

1 pc./pack Single Cut



1 pc./pack Single Cut

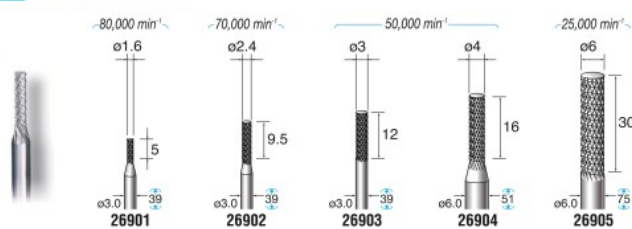


1 pc./pack Single Cut



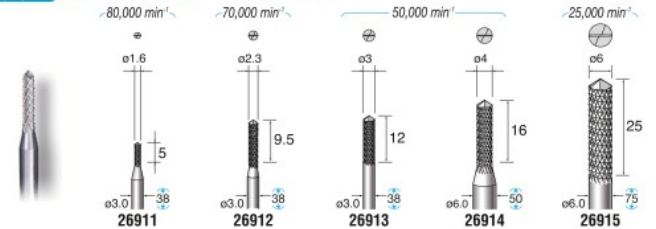
SHANK  $\phi 3.0, \phi 6.0$

1 pc./pack Diamond Cut



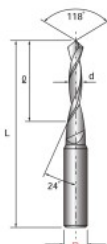
1 pc./pack Diamond Cut

Drill End



SHANK  $\phi 1.0, \phi 1.5, \phi 2.0, \phi 2.5$

1 pc./pack



D= $\phi 1.0$  Length=30

d $\phi$ mm	Lmm	
0.5	4.0	26935
0.6	4.5	26936
0.7	5.6	26937

D= $\phi 1.5$  Length=30

d $\phi$ mm	Lmm	
0.8	6.3	26938
0.9	7.1	26939
1.0	9.0	26940
1.1	9.0	26941
1.2	10.0	26942
1.3	10.0	26943
1.4	11.2	26944

D= $\phi 2.0$  Length=38

d $\phi$ mm	Lmm	
1.5	11.2	26945
1.6	12.0	26946
1.7	12.0	26947
1.8	12.0	26948
1.9	12.0	26949

D= $\phi 2.5$  Length=43

d $\phi$ mm	Lmm	
2.0	12.0	26950
2.1	12.0	26951
2.2	12.0	26952
2.3	12.0	26953
2.4	12.0	26954